

LOGIFLEX SELFS

Fully powered straddle Logiflex - makes work easy

High flexibility and efficiency - a fully powered straddle Logiflex can transport, lift and handle different goods. All types of pallets - also closed pallets - can be handled.

Large range of optional extras ensures an optimum flexibility.

The design puts focus on the safety and ergonomic working conditions of the user - Logiflex can be adjusted to the individual user, and the ergonomic correct handle ensures the user a relaxed hold.

High quality is ensured through an extended test programme and in cooperation with experts in Health and Safety.



LOGIFLEX SELFS

Technical Specifications

Straddle legs make it possible to handle many different pallet types.

- Full electronic controller ensures
- infinitely variable speed control
 - soft acceleration
 - long operating time per charge

Strong construction ensures a long operating life and low maintenance costs.



Available with side-tilting forks and/or optional extras, e.g. drum turner, remote control, level control, built-in charger.



Possible to operate with the handle upright. Central location of all control buttons.



Adjustable forks are available in many different lengths and types.

Product (measured in mm)	SELS	SELS	SELS	SELS	SELS	SELS	SELS	SELS	SELS	
Capacity in kg	1000/1200	1000/1200	1000/1200	1000/1200	1000	1000	1000	1000	1000	
Lifting height by wrap-over forks	h_3	890/870	1170/1150	1370/1350	1570/1550	1880	2020	2420	2820	
Fork length	l	600*, 800*, 1067, 1150, 1520**								
Overall height	h_1	1330	1530	1730	1930	2240	1530	1730	1930	
Overall width	b_1	166 + b_4								
Fork span min./max.	b_5	Wrap-over: 350/800, bar and chisel: 230/680 (1200 kg models are only available with chisel forks)								
Length without forks	l_2	590								
Overall length by 1150 forks	l_1	1855				1865				
Overall height	h_4	Without telescopic mast					2490	2890	3290	3740
Lowered height, forks	h_{13}	Chisel: 45, bar: 65, wrap-over: 65								
Load centre	c	$l/2$								
Width between legs: Cap. 1000/1200 kg	b_4	850 - 942, 942 - 1124, 1124 - 1306, 1240-1422*** / 850 - 942, 942 - 1124								
Fork width	e	Chisel: 100, bar: 100, wrap-over: 163								
Run-in length	l_x	1080 by 1150 and 1067 fork length								
Gangway (pallet: 1200 x 800)	A_{st}	2200 - tests show that 1700 mm are enough - depends on width between straddle legs								
Free lift								190		
Turning angle of the wheels		210°								
Driving motor		1,2 kW 24 V speed control electronically variable								
Driving speed with/without load		Below 500 mm lift: 5/6 km/h, over 500 mm lift: 3/4 km/h								
Pump motor		1,2 kW 24 V								
Lifting speed with/without load		Cap. 1000 kg: 0,07/0,12 m/s, cap. 1200 kg: 0,04/0,07 m/s								
Lowering speed with/without load		0,12/0,04 m/s				0,12/0,06 m/s				
Weight in kg (no battery): Cap. 1000/1200 kg		392/394	411/413	417/419	421/423	429	472	479	488	

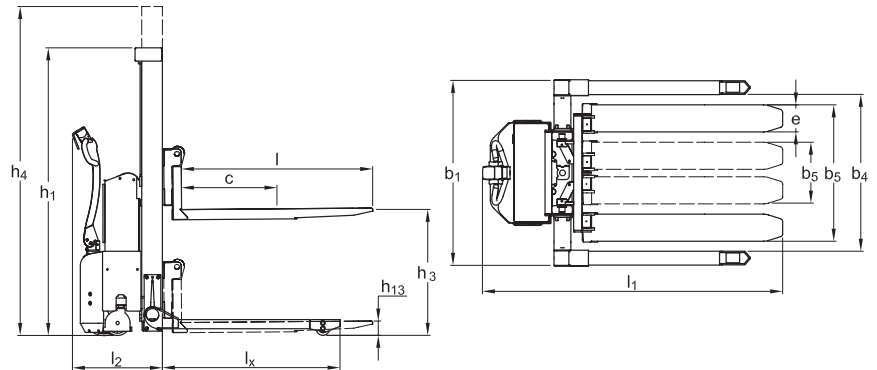
* Maximum lifting height 1570 mm by 600 mm fork length, maximum lifting height 2420 by 800 mm fork length.

** Reduced capacity 750 kg. Not available for 1200 kg models.

*** Width between straddle legs of more than 1306 mm: Max. capacity 800 kg. Fork length of 1520 mm is not recommended.



Optimum safety through transparent and impact-resistant safety screen and reduced driving speed in raised position.



We also offer tailor-made solutions. Please ask for further information.



Logitrans
lifting performance