



# LOGITRANS

Level control

60 years experience with  
**LIFTING PERFORMANCE**

[logitrans.com](http://logitrans.com)

**Level control**  
- automatically maintains  
the working height

With the level control the working height is automatically maintained at an ergonomically correct height. In this way, the operator gets a constant working height and an ergonomically correct working position. By signal from an electric sensor, the forks raise automatically when unloading material and lower when loading material.

The ergonomically correct working position and height help prevent injuries and strain on the operator, and the efficiency of the operator will be increased because of the improved working conditions.

The level control is very easy to program, very strong and has small dimension, ensuring an optimum manoeuvring. Available for electric highlifters and Logiflex stackers (also for stainless trucks).



# LOGITRANS

## Level control

### Ergonomics

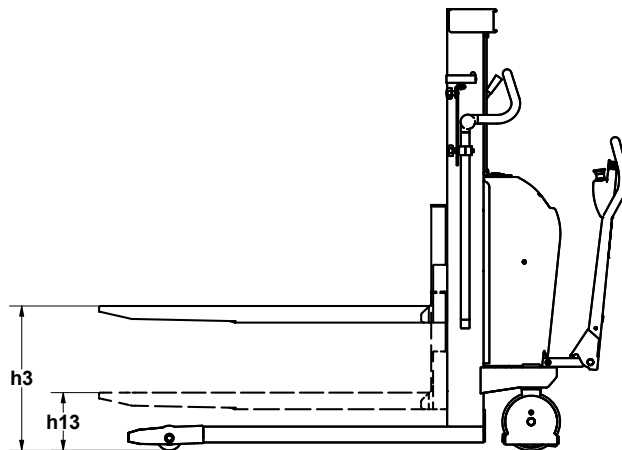
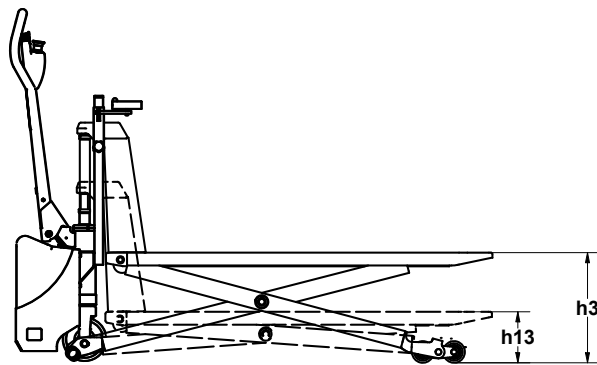
- Automatically maintained height
- Ergonomically correct working height
- Prevention of injuries and strain on the operator

### Efficiency

- Very easy programming
- Small dimensions ensure optimum options for manoeuvring
- High efficiency due to improved working environment
- Forks raise when unloading material
- Forks lower when loading material

### Safety

- A warning lamp flashes when the forks are lifting/lowering
- Instant stop makes the lifting/lowering function stop immediately
- The bottom stop ensures a clearance
- The top stop protects the motor



The level control can be placed on either the left or right hand side and is easy to retrofit.



For protection against crushing injuries.



Very easy programming of all functions. The buttons are covered by a protective film.



Can be fitted on electric high-lifters and stackers (also on stainless trucks).

Product (measured in mm)		HIGHLIFTER	LOGIFLEX
Level control type		LC4	LC4
Detection range of photocell		100-2000 (adjustable)	100-2000 (adjustable)
Working height of photocell		490-970 (adjustable)	300-1350 (adjustable)
Reaction time of photocell		1-25 seconds (adjustable)	1-25 seconds (adjustable)
Turnable photocell		+/- 30°	+/- 30°
Lifting height activated level control	$h_3$	800	900
Lowered height activated level control	$h_{13}$	200	200