

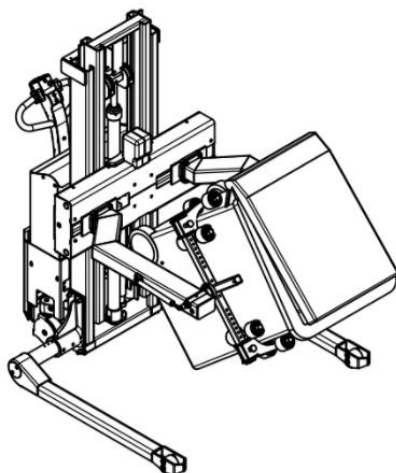
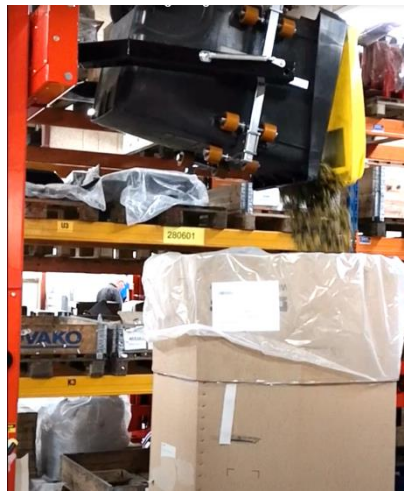


Bin Lifters & Tippers

Wheelie Bins & Tote Bins

Key Features

- Lifts, transports & turns with **360 degree rotation**: bin can be completely emptied
- **Excellent European manufacturing** (Denmark)
- **Fully powered** (lift, tip & propulsion) or **semi powered** (electric lift & tip) available
- Can be built to handle **many different bin types**, including wheelie bins, tote bins & Eurobins
- **Capacity 200kg, lifts up to 1800mm** (other capacities and heights available)
- **2 year warranty**



Units 10 & 11 Bridgwater Court, Oldmixon Crescent, Weston-super-Mare BS24 9AY

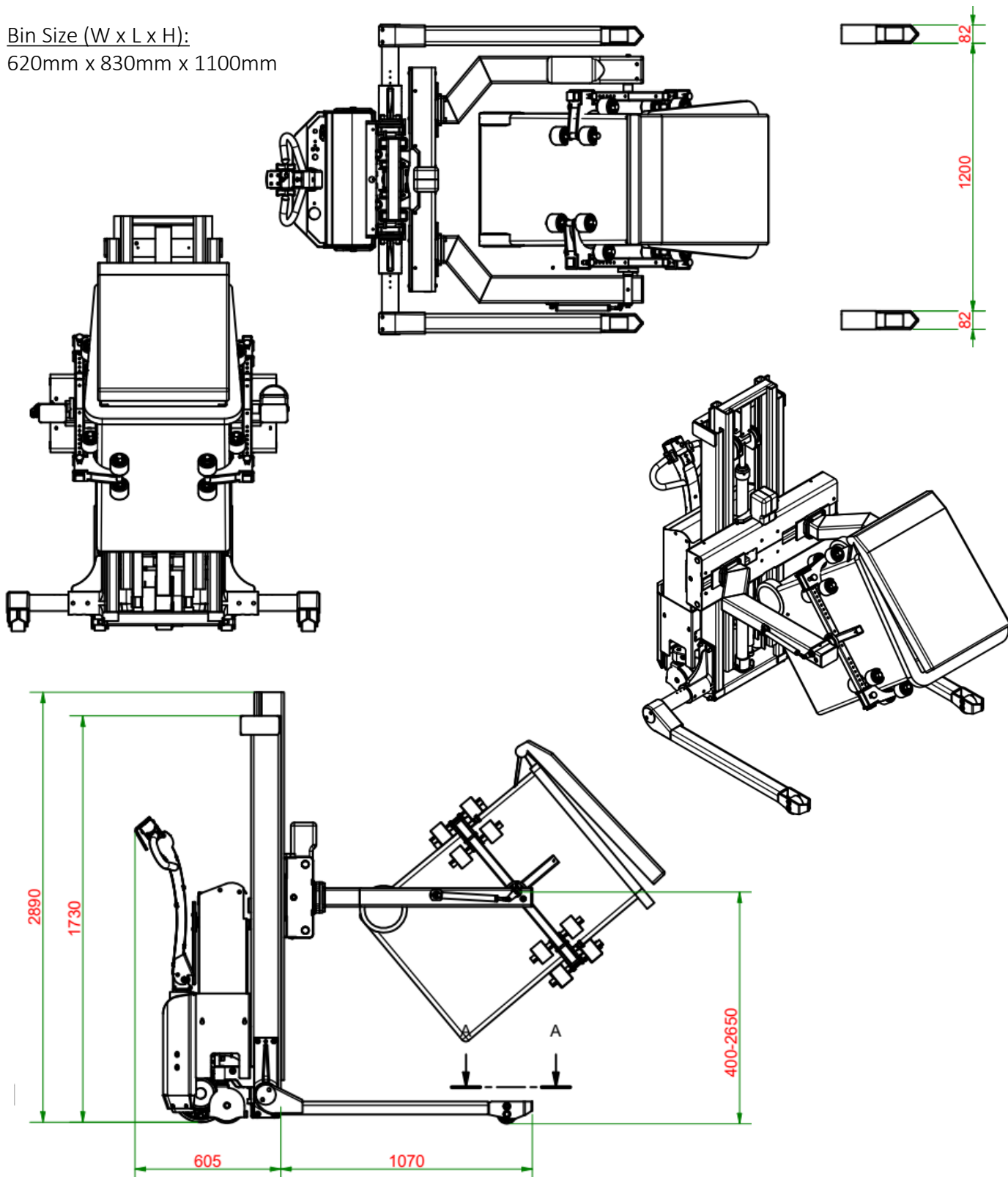
Tel: 01934 621777 Email: sales@howardhandling.co.uk Web: www.howardhandling.co.uk



Bin Lifter & Tipper (340 litres):

Technical Specification

Bin Size (W x L x H):
620mm x 830mm x 1100mm



Units 10 & 11 Bridgwater Court, Oldmixon Crescent, Weston-super-Mare BS24 9AY

Tel: 01934 621777 Email: sales@howardhandling.co.uk Web: www.howardhandling.co.uk