

MULTI DRUM TURNER

ELFMDT/ELFSMDT - SELFMDT/SELFSMDT - QDTA



MULTI DRUM TURNER

MULTI DRUM TURNER INOX

DRUM TURNER - MANUAL OR ELECTRIC



Multi drum turner - lift, turn and transport

With the multi drum turner you can lift, turn and transport various drums of all shapes and sizes.

The multi drum turner has two major advantages: it improves efficiency; and it reduces manual material handling.

To **improve efficiency**, you need to do more with less. With the multi drum turner, what once took two or more workers can now be done by clicking a button. With the attached remote control, you can handle the drums safely and precisely. In addition,

it is constructed with adjustable grippers, which makes it possible to handle many different dimensions with one machine.

Less **manual material handling** is good for your performance and the well-being of your workers. Besides being slow and inefficient, it is also exhausting and unsafe for your workers to manually lift and handle heavy drums. The multi drum turner

always comes with electrical clamping, lifting and rotation, and has several safety features and an ergonomic design.

The multi drum turner is well suited for various industries, such as pharmaceutical, cosmetics and food. And if you have special requests, we can also modify it to fit your specific situation.



Specially developed polyurethane gripping pads

Handles steel, plastic, small, low, high, square, round drums, from Ø300 mm to Ø600 mm

Secured against opening by mistake (two-button-function)



Remote control for electric clamping, lifting, lowering, and rotation



Safety clamps

Available with or without straddle legs



Intuitive screen to preset rotation angles and speed

Foot protectors and shielded chains



Ergonomically correct handle



Multi Drum Turner

The multi drum turner is available in an electric "push behind" version and a fully powered version, however regardless of the movement, it always comes with electrical rotation, lifting and clamping.

This protects the worker from unnecessary physical strain, and ensures precise, safe and efficient drum handling.

Both versions are available with straddle legs, which allows it to grab drums from closed pallets.



Multi Drum Turner inox

Some work environments require equipment with a high hygienic level. For such situations, we offer our multi drum turner in stainless steel as a customised solution.

The machine is built in high quality stainless steel to avoid bacterial contamination.

Our multi drum turner inox is made for dry and clean environments.

*Please refer to our Inox brochure for more information.



Drum turner – manual or electric

If you handle standard measured drums and only handle one type of drums, our Logiflex drum turner is a good match for you.

This drum turner can handle standard steel drums (DS/EN 210) and standard plastic drums (DS/EN 12707) in an ergonomic, safe and efficient way.

The manual drum turner is a part of our quick shift program for our Logiflex series. This means you can replace the drum turner with a boom, platform, crane arm, drum forks or regular forks.

Work in practice

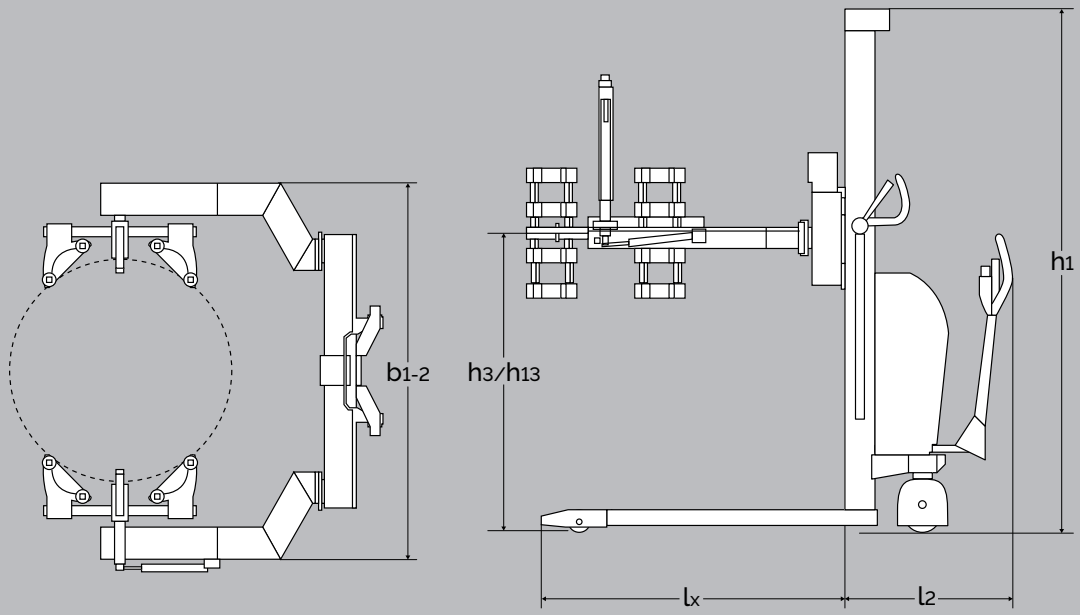
Flexibility is one of our core values at Logitrans, and the multi drum turner is a great example hereof. Not only is it perfect for handling various drums – the clamps can also grab around other elements, and the multi drum turner is therefore applicable in numerous situations.

If you have a unique situation that requires a special solution, we can also customise the machine to match your needs 100%.

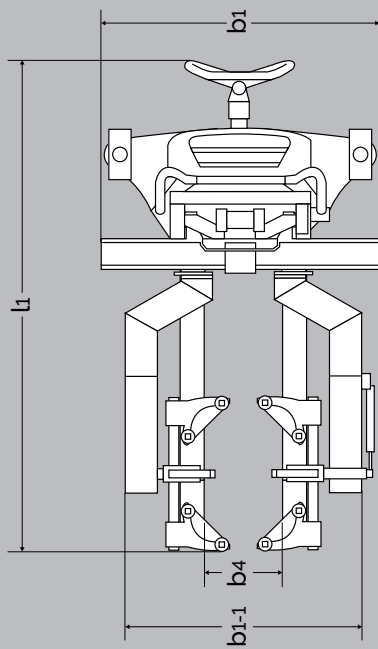
For instance, we have helped customers handle:

- **Garbage bins**
- **Heavy train wheels**
- **Car tires** (4 at the time)
- **Metal cabinets**
- **Big coils** in the aircraft industry
- **Large plastic** Palox
- **Ingredients** for spice productions

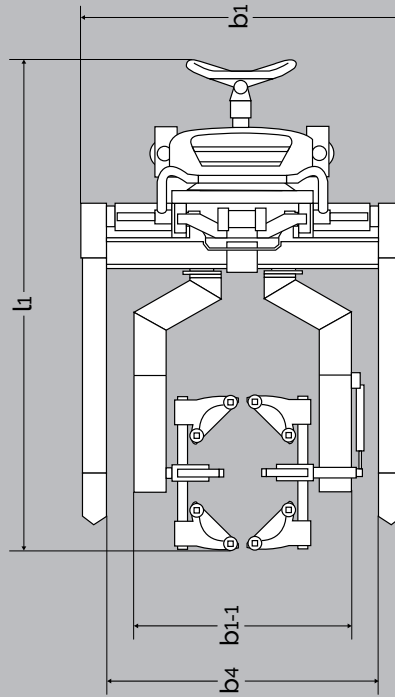




ELFMDT / ELFSMDT

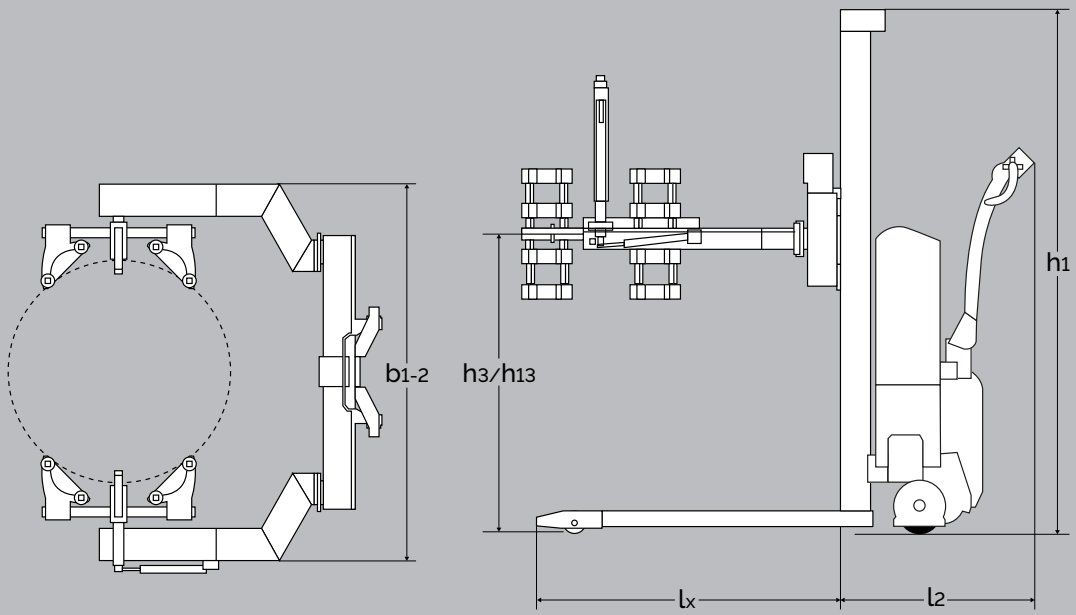


ELFMDT

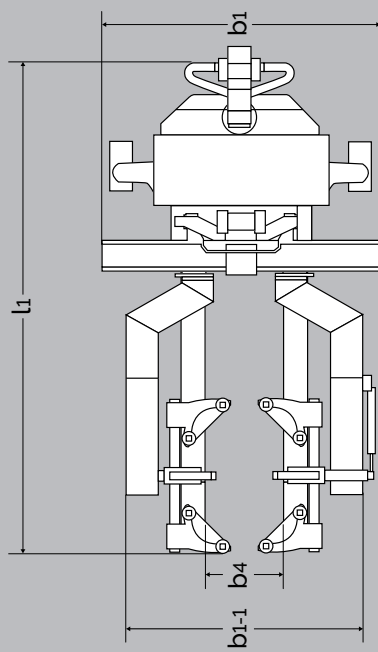


ELFSMDT

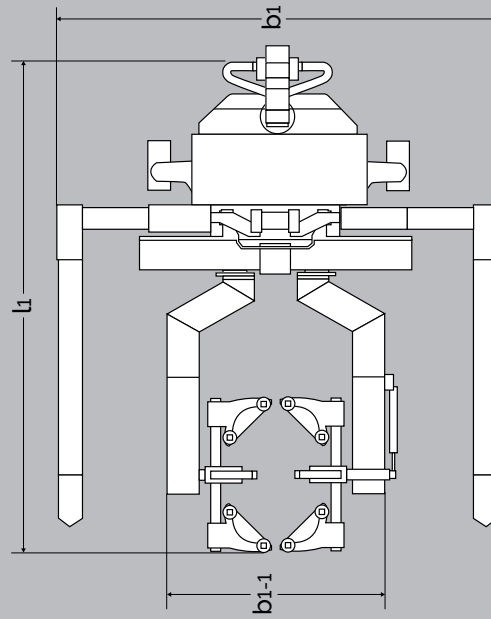
| PRODUCT (measured in mm) | | ELFMDT 1001 | ELFMDT 1001 | ELFSMDT 1001 | ELFSMDT 1001 |
|----------------------------------|-----------|-----------------|---|-----------------|-----------------|
| Capacity i kg | | 350 | 350 | 350 | 350 |
| Drum diameter | | Ø300 to Ø600 | | | |
| Lifting height | h_3 | 1800 | 2100 | 1800 | 2100 |
| Rotation function | | 360° | | 360° | |
| Overall height | h_1 | 1930 | 2240 | 1930 | 2240 |
| Overall width | b_1 | 1000 | | 166 + b_4 | |
| Overall width arms min. | b_{1-1} | 800 | | 800 | |
| Overall width arms max. | b_{1-2} | 1400 | | 1400 | |
| Length without carriage | l_2 | 590 | | 590 | |
| Overall length | l_1 | 1830 | | 1830 | |
| Lowered height | h_{13} | 400 | | 400 | |
| Width between legs | b_4 | 316 | 850 - 942, 942 - 1124, 1124 - 1306, 1240-1422 | | |
| Run-in length | l_x | 1100 | | 1100 | |
| Turning angle of the wheels | | 180° | | 180° | |
| Pump motor | | 1.1 kW 12 V | | | |
| Lifting speed with/without load | | 0.05/0.07 m/s | | | |
| Lowering speed with/without load | | 0.12 / 0.04 m/s | | | |
| Weight in kg (no battery) | | 465 | 473 | 505 | 513 |



SELFMDT / SELFSMDT

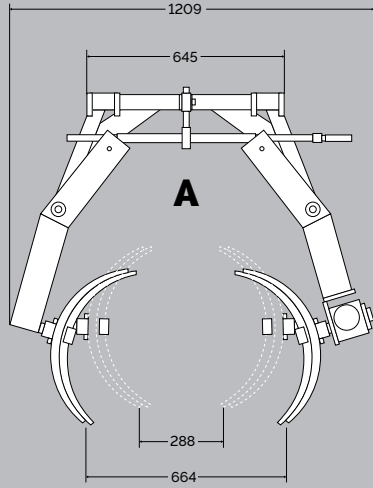


SELFMDT



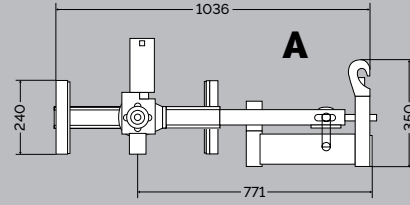
SELFSMDT

| PRODUCT (measured in mm) | | SELFMDT | SELFMDT | SELSMDT | SELSMDT |
|----------------------------------|-----------|---|---------|---|---------|
| Capacity i kg | | 350 | 350 | 350 | 350 |
| Drum diameter | | Ø300 to Ø600 | | | |
| Lifting height | h_3 | 1800 | 2100 | 1800 | 2100 |
| Rotation function | | 360° | | 360° | |
| Overall height | h_1 | 1930 | 2240 | 1930 | 2240 |
| Overall width | b_1 | 1000 | | 166 + b_4 | |
| Overall width arms min. | b_{1-1} | 800 | | 800 | |
| Overall width arms max. | b_{1-2} | 1400 | | 1400 | |
| Length without carriage | l_2 | 605 | | 605 | |
| Overall length | l_1 | 1830 | | 1830 | |
| Lowered height | h_{13} | 400 | | 400 | |
| Width between legs | b_4 | 316 | 316 | 850 - 942, 942 - 1124, 1124 - 1306, 1240-1422 | |
| Run-in length | l_x | 1100 | | 1100 | |
| Turning angle of the wheels | | 210° | | 210° | |
| Driving motor | | 1,2 kW 24 V speed control electronically variable | | | |
| Driving speed with/without load | | Below 500 mm lift: 5/6 km/h, over 500 mm lift: 3/4 km/h | | | |
| Pump motor | | 1,2 kW 24 V | | | |
| Lifting speed with/without load | | 0,07/0,12 m/s | | | |
| Lowering speed with/without load | | 0,12 / 0,07 m/s | | | |
| Weight in kg (no battery) | | 500 | 508 | 540 | 548 |



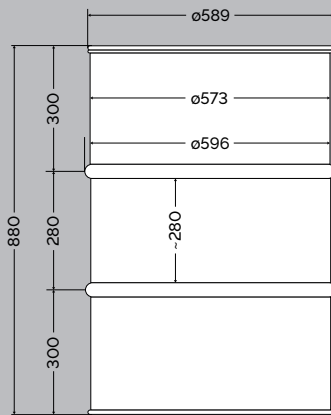
A

Drum turner for standard steel drums (DS/EN 210).

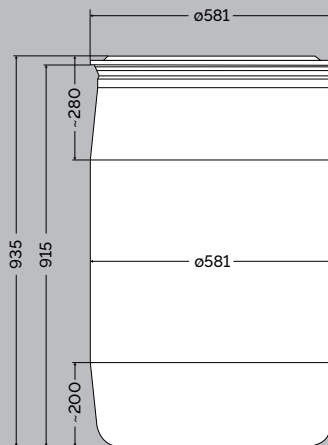


B

Drum turner for standard plastic drums (DS/EN 12707).



Standard steel drum (DS/EN 210).



Standard plastic drum (DS/EN 12707).

| PRODUCT (measured in mm) | MANUAL (EN 210) | ELECTRIC (EN 210) | MANUAL (EN 12707) | ELECTRIC (EN 12707) |
|------------------------------------|--------------------|----------------------|----------------------|------------------------|
| Capacity i kg | 250 | 250 | 250 | 250 |
| Turning angle | 360° | 360° | 360° | 360° |
| Gear | Manual | 12V-200W/24V-200W | Manual | 12V-200W/24V-200W |
| Gearing | 1:80 | 1:912 | 1:80 | 1:912 |
| Speed of rotation | | 1,6 rpm/min | | 1,6 rpm/min |
| Distance from floor to drum turner | 260 mm | 260 mm | 260 mm | 260 mm |



Ergonomic Lifting Equipment

Logitrans A/S

+45 76 88 16 00

info@logitrans.com

www.logitrans.com

