

Logiflex - flexible handling of goods

High flexibility and efficiency - with only one truck, goods can be transported, lifted and handled in many different ways.

The design puts focus on the safety and ergonomic working conditions of the user - Logiflex can be adjusted to the individual user, and the ergonomic correct handle ensures the user a relaxed hold.

Optimum utilisation of the space - Logiflex has a compact construction and is very manoeuvrable.

High quality is ensured through an extended test programme and in cooperation with experts in Health and Safety.



Technical Specifications

- Optimum safety for the user through
- central location of all control buttons on the handle
 - transparent and impact-resistant safety screen on the mast
 - location of parking brake

Strong construction ensures a long operating life and low maintenance costs.



Ergonomic handle ensures the user a relaxed hold. The handle can be marked with the name/department.



High manoeuvrability: Short overall length, large turning angle, assisted steering and low own weight.



Adjustable forks are standard for LF Mini and several ELF models.

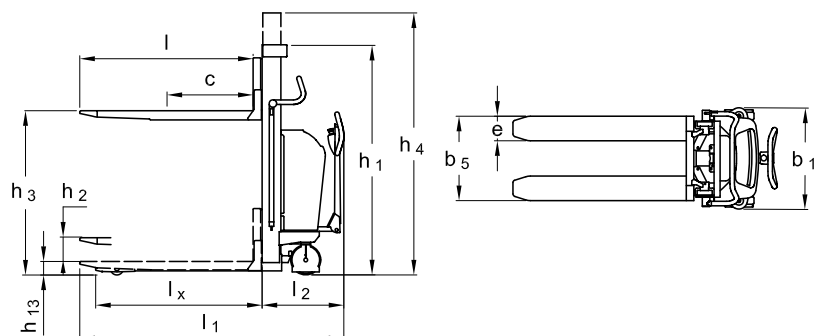
Available with manual and electric lifting.

Product (measured in mm)	LF MINI	LF MINI	ELF	ELF	ELF	ELF	ELF	ELF	ELF	ELF	ELF	ELF	ELF
Capacity in kg	1000	1000	1000	1000	1200	1200	1200	1200	1000	1000	1000	1000	1000*
Lifting height h_3	920	1650	920	1650	920	1200	1400	1600	1910	2050	2450	2850	3300
Fork length l	1067, 1150		1067, 1150		600**, 800**, 1150, 1520***								
Overall height h_1	1330		1330		1530	1730	1930	2240	1530	1730	1930	2240	
Overall width b_1	680		680		680						932		
Fork span b_5	Wrap-over forks: 350-560		Wrap-over forks: 350-560		560, 680								
Length without forks l_2	415		415		590								
Overall length with 1150 forks l_1	1675	1685	1860	1870	1800				1810				
Overall height h_4	1330	2025	Without telescopic mast 2025		Without telescopic mast				2490	2890	3290	3740	
Lowered height h_{13}	85 (fork span 560) 145 (fork span 350-555)		85 (fork span 560) 145 (fork span 350-555)		85	90							
Load centre c	l/2		l/2		l/2								
Fork width e	163		163		163								
Run-in length l_x	1100 with 1150 mm forks				1100 with 1150 mm forks								
Gangway (pallet: 1200 x 800) A_{st}	2190****		2190****		2290****								
Free lift h_2		330		330								190	
Turning angle of the wheels	180°		180°		180°								
Pump motor					1,1 kW 12 V								
Lifting speed	normal/quick: 8/26 mm per pump		normal/quick: 8/26 mm per pump		With/without load: 0,05/0,07 m/s								
Lowering speed with/without load	max. 0,19 m/s / max. 0,07 m/s		max. 0,19 m/s / max. 0,07 m/s		0,12 m/s / 0,04 m/s				0,12 m/s / 0,06 m/s				
Weight in kg (without battery): Capacity 1000/1200 kg	219	254	238	284	230	241	247	260	270	315	323	337	390

* Load reduction at large lifting height.
 ** Maximum lifting height 1600 mm with 600 mm forks, maximum lifting height 2450 mm with 800 mm forks.
 *** Reduced capacity 750 kg. Not available for 1200 kg models.
 **** Tests show that 1700 mm are enough.



Available with side-tilting forks and/or optional extras, e.g. drum turner, crane arm, spear, remote control, level control.



We also offer tailor-made solutions.
 Please ask for further information or visit our website www.logitrans.com