

Stainless manual stacker - hygienic handling of goods

Optimum hygiene - with the stainless stacker the risk of bacterial contamination is minimised.

The stainless products are developed for environments where severe hygiene is needed on the surfaces that are in direct contact with the goods being handled, e.g. meat, fish or medicine.

The design focuses on the safety and ergonomic working conditions of the user. As an example, the ergonomically correct handle ensures the user a relaxed hold.

High quality is ensured through an extended test programme and in cooperation with experts in Health and Safety.



Technical Specifications

Optimum safety

- parking brake and transparent, impact-resistant safety screen on mast

Easy to clean and optimum resistance

- acid-resistant and electric polished fork chassis (AISI 316L)
- closed forks



The ergonomically correct handle ensures the user a relaxed hold.



Closed forks mean easy cleaning and few hiding places for bacteria.



The stainless stacker with straddle legs can handle many different pallet types, also closed pallets.

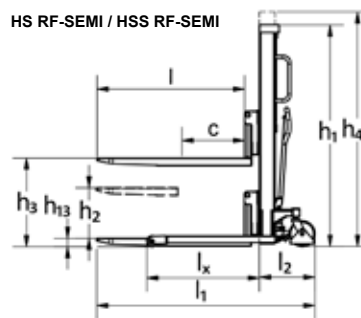
Product (measured in mm)	HS 1000 RF-SEMI					HSS 1000 RF-SEMI					
	1000	1000	1000	1000	1000	1000	1000	1000	1000	1000	
Capacity in kg	1000	1000	1000	1000	1000	1000	1000	1000	1000	1000	
Lifting height h_3	1200	1400	1600	2050	2450	1170	1370	1570	2020	2420	
Fork length l	1150					1150					
Overall height h_1	1530	1730	1930	1530	1730	1530	1730	1930	1530	1730	
Wheel span – external b_{1-1}	b_1					654					913
Overall width b_1	654				913	$b_4 + 225$					
Fork span b_5	560					350/800					
Length without forks l_2	390					435					
Overall length by 1150 forks l_1	1650			1660		1650					
Overall height h_4	Without telescopic mast			2490	2890	Without telescopic mast			2490	2890	
Lowered height h_{13}	90					65					
Load centre c	max. 600					max. 600					
Width between legs b_4						435-1250 not adjustable					
Fork width e	163					163					
Run-in length l_x	1005					1005					
Gangway (pallet: 1200 x 800) A_{st}	2020*					2215					
Free lift h_2						190					190
Turning angle of the wheels	180°					180°					
Lifting speed	normal/quick 17/54 mm per pump					normal/quick 17/54 mm per pump					
Lowering speed irrespective of load	0,21 m/s					0,21 m/s					
Weight in kg	193	197	201	255	264						

* Tests show that 1450 mm are enough.

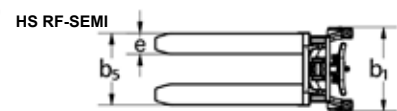


Also available with electric lifting or as explosion proof (manual model).

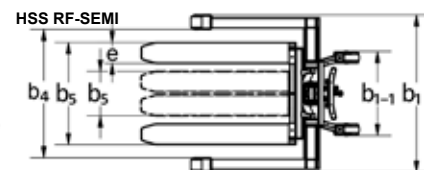
HS RF-SEMI / HSS RF-SEMI



HS RF-SEMI



HSS RF-SEMI



Please ask for specification details or visit our website www.logitrans.com
We also offer tailor-made solutions.