

Stainless highlifter - hygiene at working height

Optimum hygiene - with a stainless highlifter the risk of bacterial contamination is minimised. The products were developed in cooperation with a Creamery for use in environments with severe hygiene demands and where the truck is exposed to an aggressive environment and thorough cleaning.

High flexibility and efficiency - one product can transport and lift a pallet to the right working height.

The design prevents industrial injuries and strain on the user - focus is put on safety and ergonomics.

High quality is ensured through an extended test programme and in cooperation with experts in Health and Safety.



Technical Specifications

- **HL RF-PLUS:** Acid-resistant fork chassis, stainless handle and chromittreated pump housing
- **EHL RF-PLUS:** Acid-resistant fork chassis, stainless handle and pump housing
- **HL / EHL RF-SEMI:** Acid-resistant fork chassis. Stainless handle, axles, wheel holder and thrust shoes. All other parts have a polymer plastic coating or are chromit-treated

Easy to clean and optimum resistance

- acid-resistant and electric polished fork chassis
- strong surface
- corrosion resistant

Long operating life and low maintenance costs

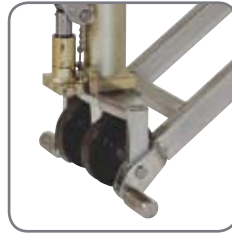
- reliable cylinder construction
- strong construction
- fork chassis - AISI316L steel



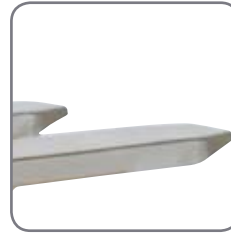
RF-PLUS - for the food industry and the pharmaceutical industry with severe demands for hygiene and cleaning.



RF-SEMI - for the food industry in areas, where hygiene demands are not so high, but corrosion resistance important.



Optimum safety through supporting feet at steering wheel and central location of all control buttons on the handle.

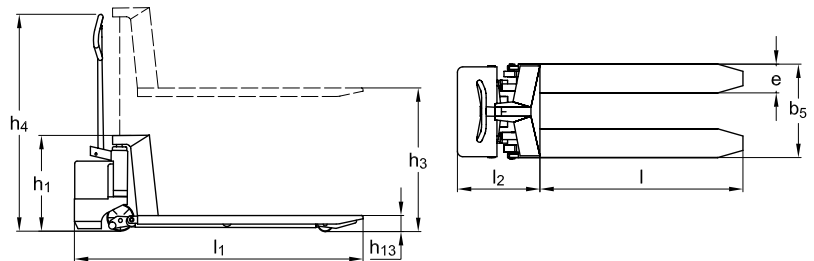


Closed forks mean easy cleaning and few hiding places for bacteria.



The manual highlifter is also available in an explosion proof version.

Product (measured in mm)	HL 1000RF-PLUS HL 1000RF-SEMI	EHL 1000RF-PLUS EHL 1000RF-SEMI
Capacity in kg	1000	1000
Lifting height	h_3 800	800
Fork length	l 1140	1140
Overall height	h_1 540	540
Fork span	b_5 540, 680	540, 680
Length without forks	l_2 340	440
Overall length	l_1 1480	1580
Overall height with handle	h_4 1195	1195
Lowered height	h_{13} 90	90
Fork width	e 163	163
Turning angle of the wheels	180°	180°
Gangway	A_{st} 1830 (pallet: 1200 x 800)	1890 (pallet: 1200 x 800)
Lifting speed with/without load		0,05/0,08 m/s
Lowering speed normal/quick	10/35 mm per pump	
Lowering speed	Without load 0,093 m/s	With/without load: 0,07/0,05 m/s
Pump motor		1,1 kW 12 V
Weight with 1140 mm forks (without battery)	108 kg	120 kg



Ergonomic handle ensures the user a relaxed hold.



Remote control, also wireless, is available as optional extra (EHL).

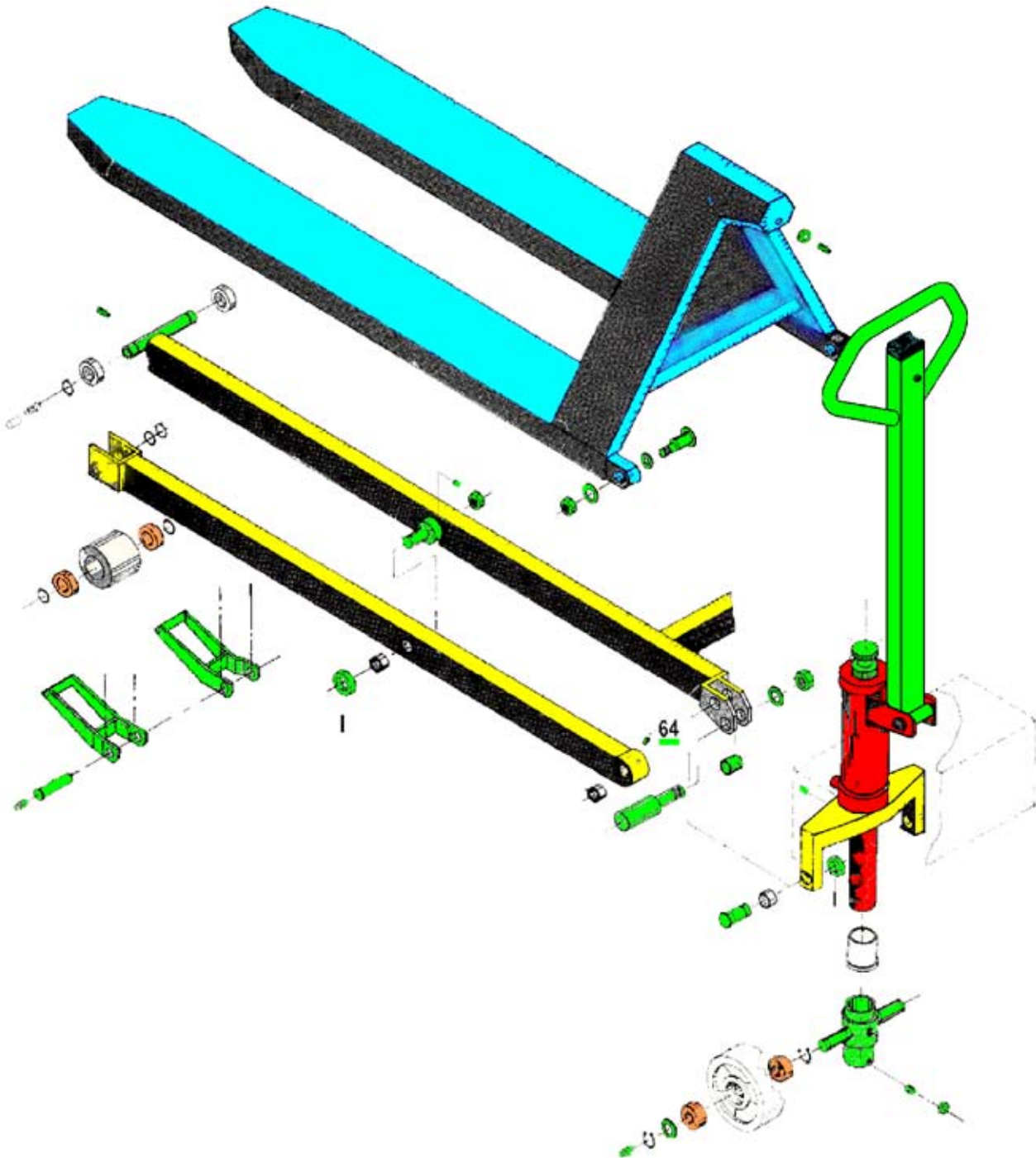


Watertight casing of the lifting motor (EHL RF-PLUS).

*Please ask for specification details or visit our website
We also offer tailor-made solutions.*

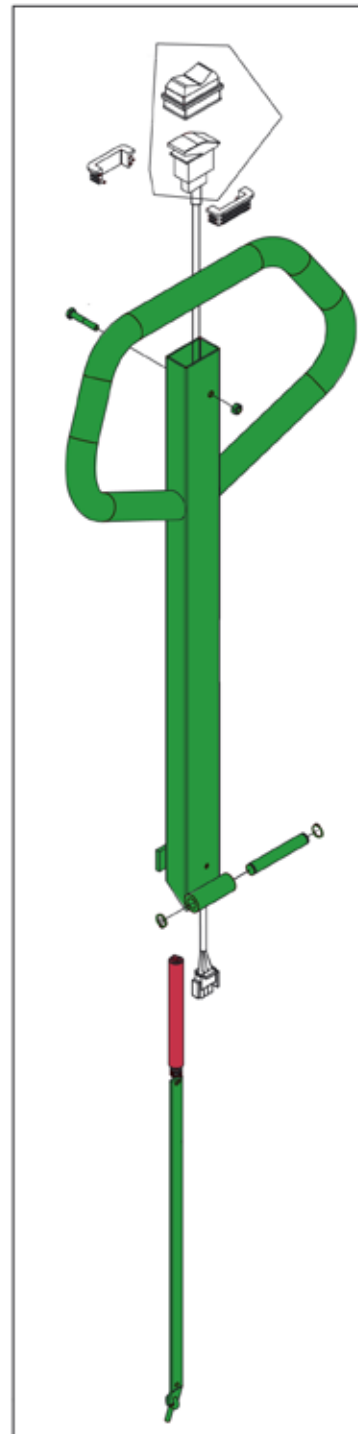
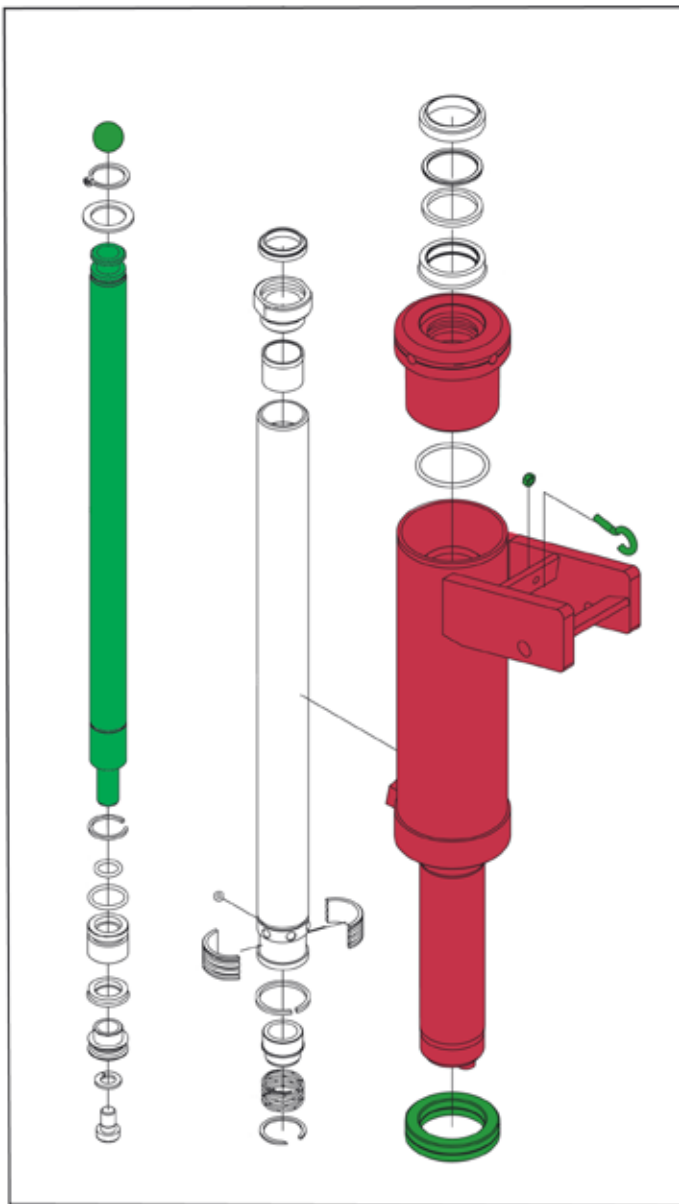
EHL 1000 RF-SEMI

Syrefast stål	Acid-resistant steel	Säurebeständiger Stahl	Inox - Anti acides	EN 1.4404 (AISI 316L) EN 1.4460 (AISI 329)
Rustfrit stål	Stainless steel	Edelstahl	Inox	EN 1.4305 (AISI 303) EN 1.4301 (AISI 304)
Polymer plastbelægn.	Polymer plastic coating	PolymerKunststoffbeschicht.	Revêtement en plastique polymérisé	
Kromiterte	Chromit-treated	Chromit-behandelt	Bi-chromatage	Chromit 3
Gummitætne lejer	Rubber sealed bearings	Lager m/Gummidichtung	Roulements étanches	
Bronze	Bronze	Bronze	Bronze	
Malet 130-150 µm	Painted 130-150 µm	Gemalt 130-150 µm	Peinture 130-150 µm	



EHL 1000 RF-SEMI

	Syrefast stål	Acid-resistant steel	Säurebeständiger Stahl	Inox - Anti acides	EN 1.4404 (AISI 316L) EN 1.4460 (AISI 329)
	Rustfrit stål	Stainless steel	Edelstahl	Inox	EN 1.4305 (AISI 303) EN 1.4301 (AISI 304)
	Polymer plastbelægn.	Polymer plastic coating	PolymerKunststoffbeschicht.	Revêtement en plastique polymérisé	
	Kromitære	Chromit-treated	Chromit-behandelt	Bi-chromatage	Chromit 3
	Gummitætne lejer	Rubber sealed bearings	Lager m/Gummidichtung	Roulements étanches	
	Bronze	Bronze	Bronze	Bronze	
	Malet 130-150 µm	Painted 130-150 µm	Gemalt 130-150 µm	Peinture 130-150 µm	



EHL 1000 RF-SEMI

Syrefast stål	Acid-resistant steel	Säurebeständiger Stahl	Inox - Anti acides	EN 1.4404 (AISI 316L) EN 1.4460 (AISI 329)
Rustfrit stål	Stainless steel	Edelstahl	Inox	EN 1.4305 (AISI 303) EN 1.4301 (AISI 304)
Polymer plastbelægn.	Polymer plastic coating	PolymerKunststoffbeschicht.	Revêtement en plastique polymérisé	
Kromitære	Chromit-treated	Chromit-behandelt	Bi-chromatage	Chromit 3
Gummitætnelejer	Rubber sealed bearings	Lager m/Gummidichtung	Roulements étanches	
Bronze	Bronze	Bronze	Bronze	
Malet 130-150 µm	Painted 130-150 µm	Gemalt 130-150 µm	Peinture 130-150 µm	

