

HIGHLIFTER INOX

SPECS AND KEY SKETCHES



**MANUAL HIGHLIFTER
INOX PLUS (HLIP)**



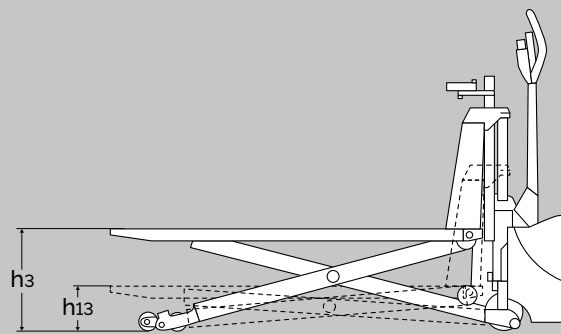
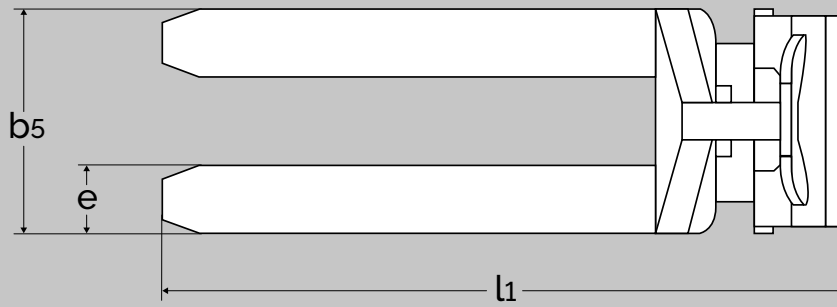
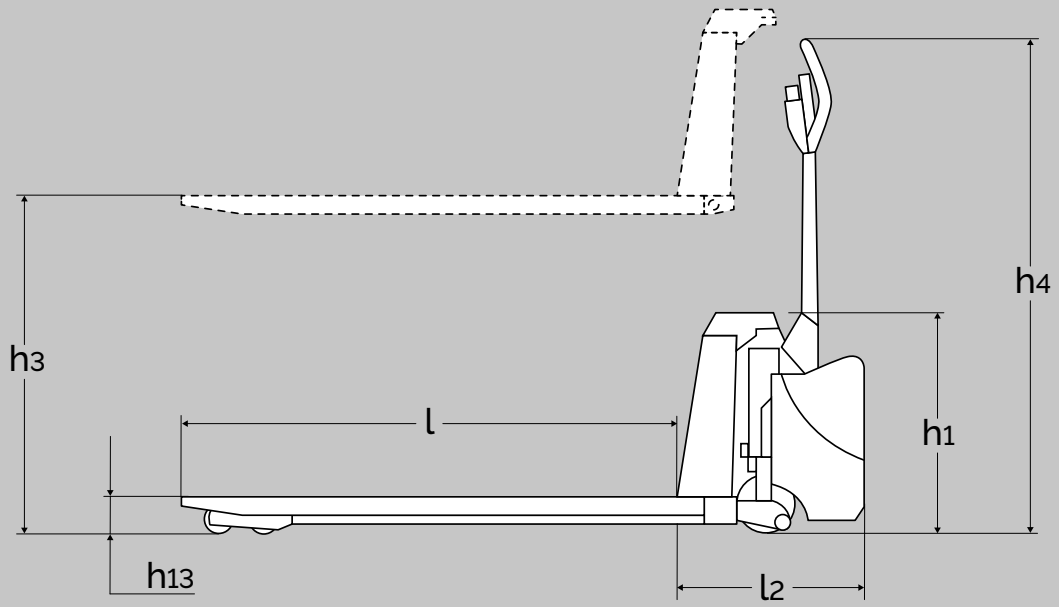
**ELECTRIC HIGHLIFTER
INOX PLUS (EHL 1004)**



**MANUAL HIGHLIFTER INOX
(EHL 1004) + (EXPLOSION PROOF)**



**ELECTRIC HIGHLIFTER
INOX (EHL 1004)**



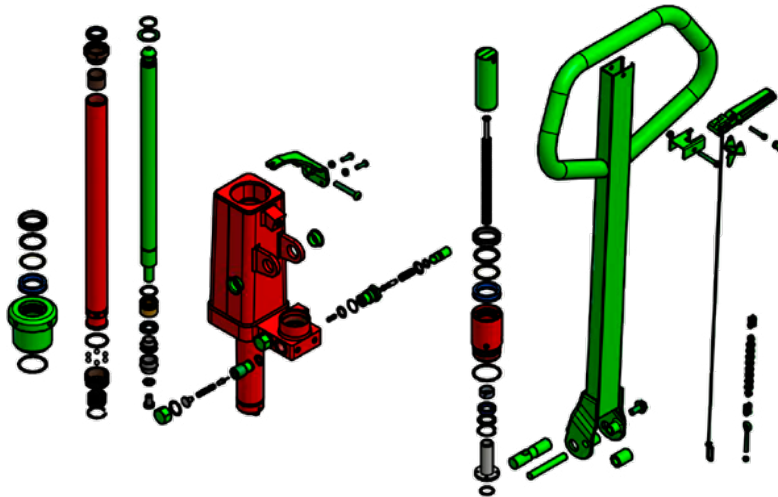
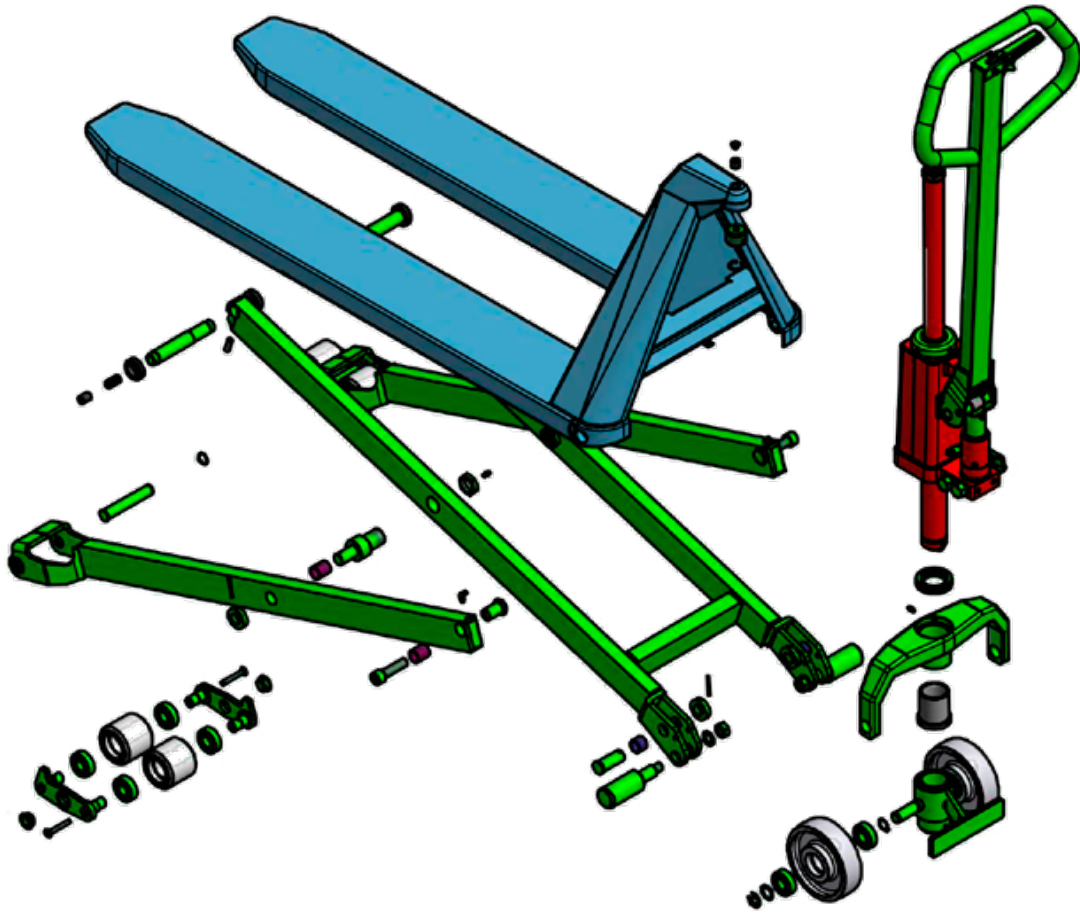
Electric highlifter with level control








PRODUCT (measured in mm)		MANUAL HIGHLIFTER INOX PLUS (HLIP)	MANUAL HIGHLIFTER INOX (HLI)	MANUAL HIGHLIFTER (EX)	ELECTRIC HIGHLIFTER INOX PLUS (EHLIP)	ELECTRIC HIGHLIFTER INOX (EHLI)
Capacity in kg		1500*				
Lifting height	h_3	800				
Fork length	l	1200				
Overall height	h_1	540				
Fork span	b_5	540, 680				
Length without forks	l_2	340	340	340	445	445
Overall length	l_1	1580	1580	1580	1645	1645
Overall height with handle	h_4	1220	1220	1220	1240	1240
Lowered height	h_{13}	90				
Fork width	e	163				
Turning angle of the wheels		210°	210°	210°	180°	180°
Gangway	A_{st}	1830 (pallet: 1200x800)	1830 (pallet: 1200x800)	1830 (pallet: 1200x800)	1890 (pallet: 1200x800)	1890 (pallet: 1200x800)
Lifting speed with/without load					0,05/0,08 m/s	0,05/0,08 m/s
Lifting speed normal/quick		10/35 mm pr pump	10/35 mm pr pump	10/35 mm pr pump		
Lowering speed		Without load 0,093 m/s	Without load 0,093 m/s	Without load 0,093 m/s	With / without load: 0,07/0,05 m/s	With / without load: 0,07/0,05 m/s
Pump motor					1,2 kW 12 V	1,2 kW 12 V
Weight with 1200 mm forks		125 kg	125 kg	125 kg	132 kg	132 kg

* The capacity changes from 1500 to 1000 kg at the lifting height 470 mm.

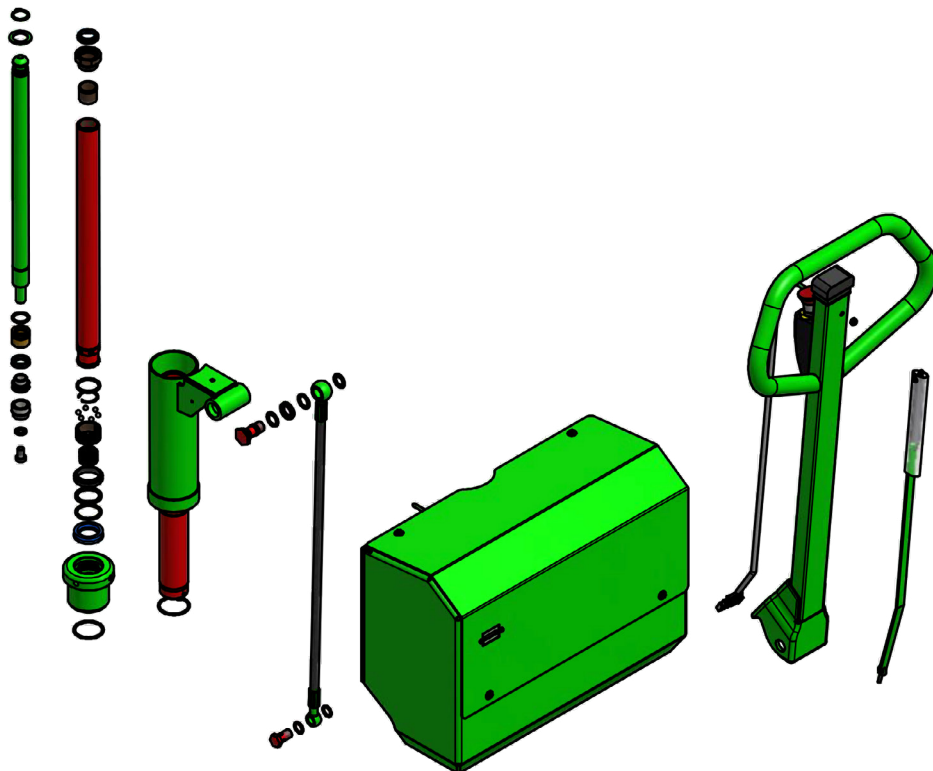
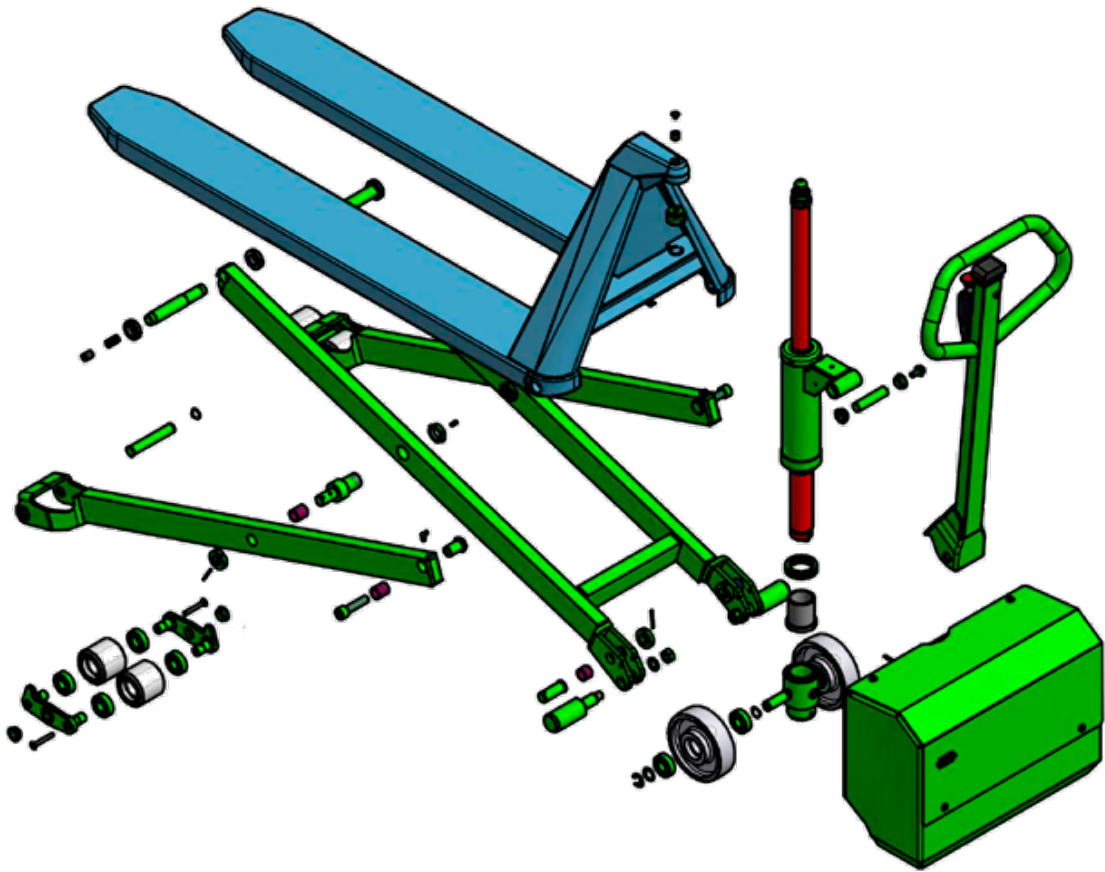
PRODUCT (measured in mm)		HIGHLIFTER
Level control type		LC4
Detection range of photocell		100-2000 (adjustable)
Working height of photocell		490-970 (adjustable)
Reaction time of photocell		1-25 seconds (adjustable)
Turnable photocell		+/- 30°
Lifting height activated level control	h_3	800
Lowered height activated level control	h_{13}	200








MANUAL HIGHLIFTER INOX PLUS - HLIP 1004



						
Acid-resistant steel	Stainless steel	Zinc-iron black passivating + sealer*	Zinc-iron silver passivating + sealer*	Rubber sealed bearings	Bronze	Painted 130-150 µm
EN 14404 (AISI 316L) EN 14460 (AISI 329)	EN 14305 (AISI 303) EN 14301 (AISI 304)	Fe//ZnFeX//Fn//T2	Fe//ZnFeX//Cn//T2			

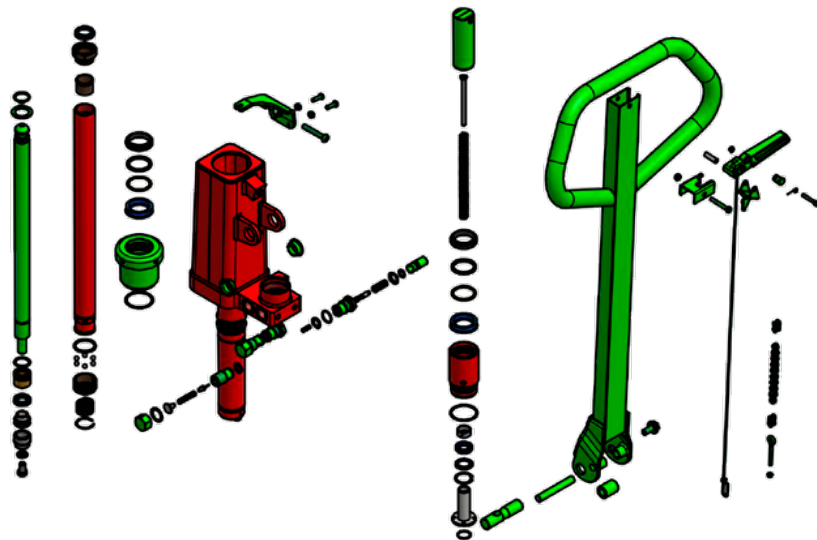
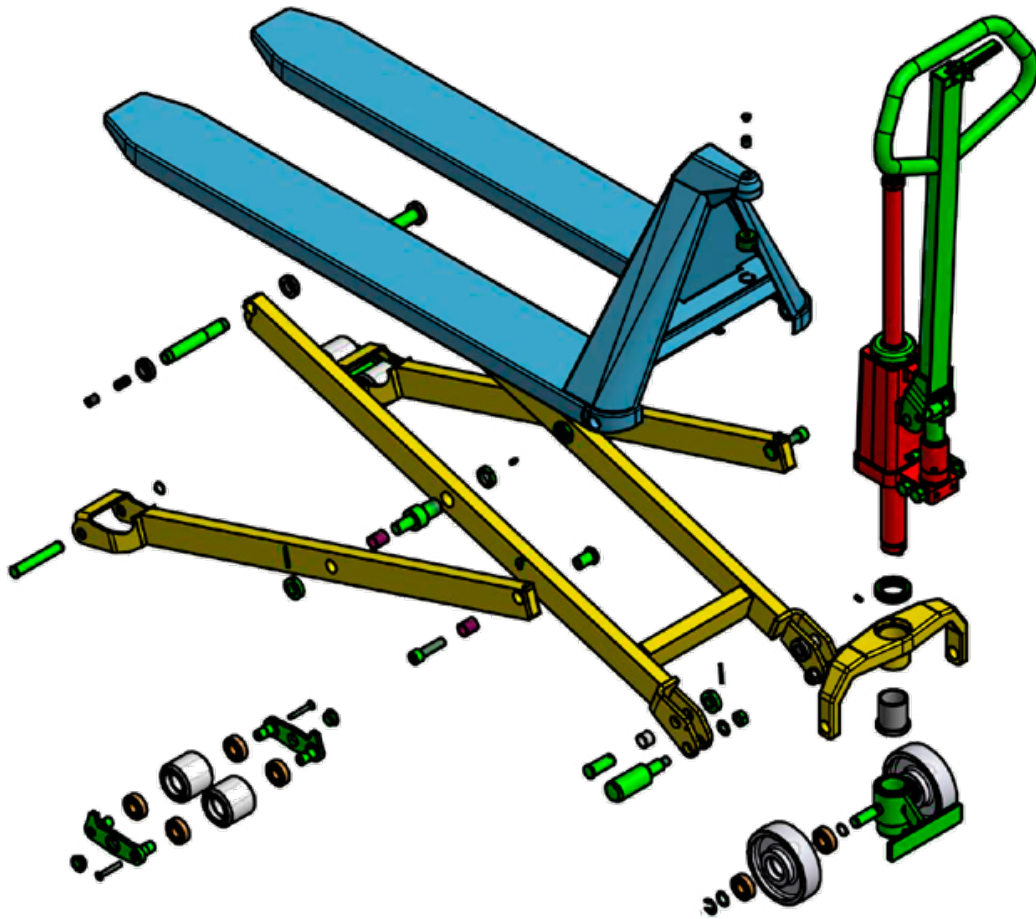
*chromated










						
Acid-resistant steel	Stainless steel	Zinc-iron black passivating + sealer*	Zinc-iron silver passivating + sealer*	Rubber sealed bearings	Bronze	Painted 130-150 µm
EN 14404 (AISI 316L) EN 14460 (AISI 329)	EN 14305 (AISI 303) EN 14301 (AISI 304)	Fe//ZnFeX//Fn//T2	Fe//ZnFeX//Cn//T2			

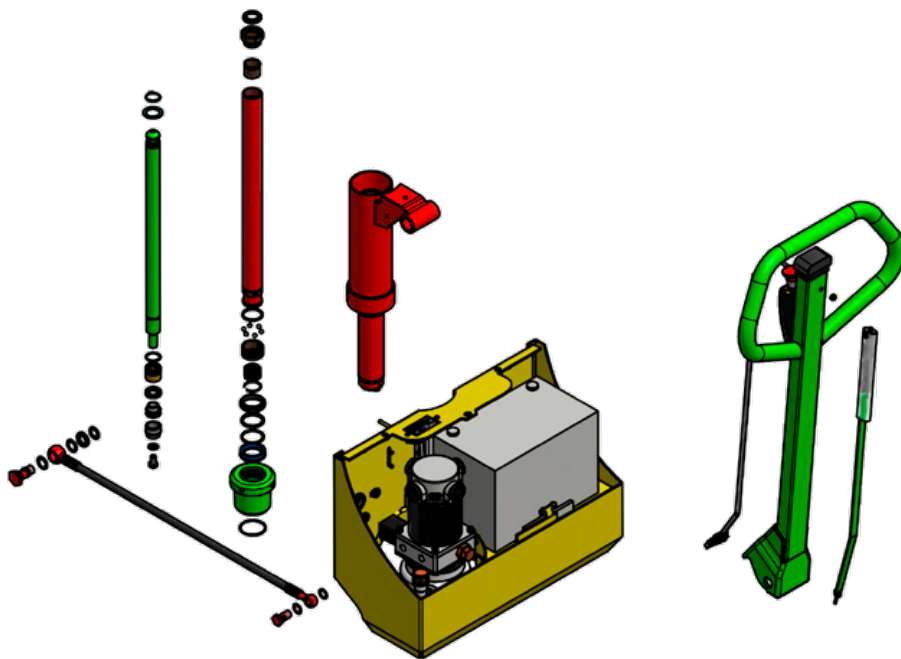
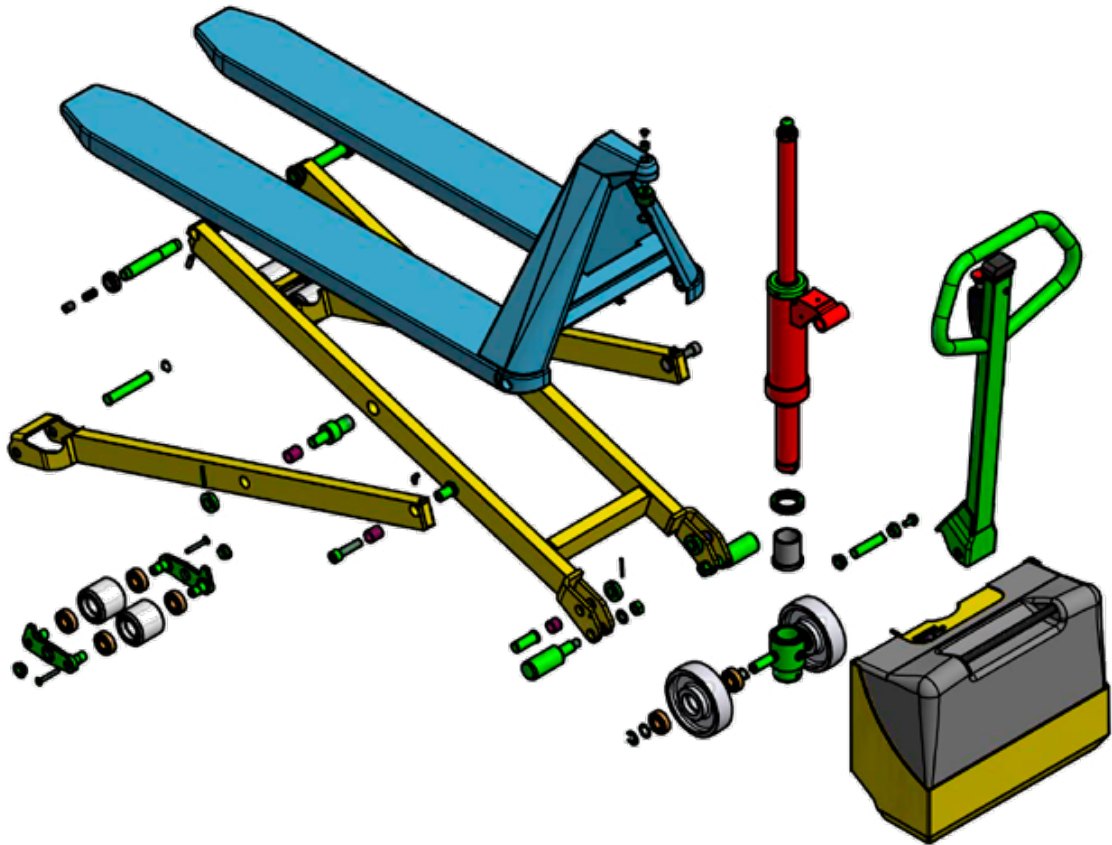
*chromated








MANUAL HIGHLIFTER INOX - HLI 1004



						
Acid-resistant steel	Stainless steel	Zinc-iron black passivating + sealer*	Zinc-iron silver passivating + sealer*	Rubber sealed bearings	Bronze	Painted 130-150 µm
EN 14404 (AISI 316L) EN 14460 (AISI 329)	EN 14305 (AISI 303) EN 14301 (AISI 304)	Fe//ZnFeX//Fn//T2	Fe//ZnFeX//Cr//T2			

*chromated



						
Acid-resistant steel	Stainless steel	Zinc-iron black passivating + sealer*	Zinc-iron silver passivating + sealer*	Rubber sealed bearings	Bronze	Painted 130-150 µm
EN 14404 (AISI 316L) EN 14460 (AISI 329)	EN 14305 (AISI 303) EN 14301 (AISI 304)	Fe//ZnFeX//Fn//T2	Fe//ZnFeX//Cn//T2			

*chromated

Trucks for explosive atmospheres

Our **manual pallet truck, highlifter and stacker** also come in special explosion proof versions.

The manual trucks must fulfil the ATEX-directive, and they are manufactured in concordance with the ATEX directive no. 2014/34/EC and relevant standards.

The trucks are categorised in equipment group II and are suitable for areas classified as zone 1/ zone 21 (do also cover zone 2/zone 22). This means, areas in which explosive atmosphere is generated occasionally due to different gases or dust.

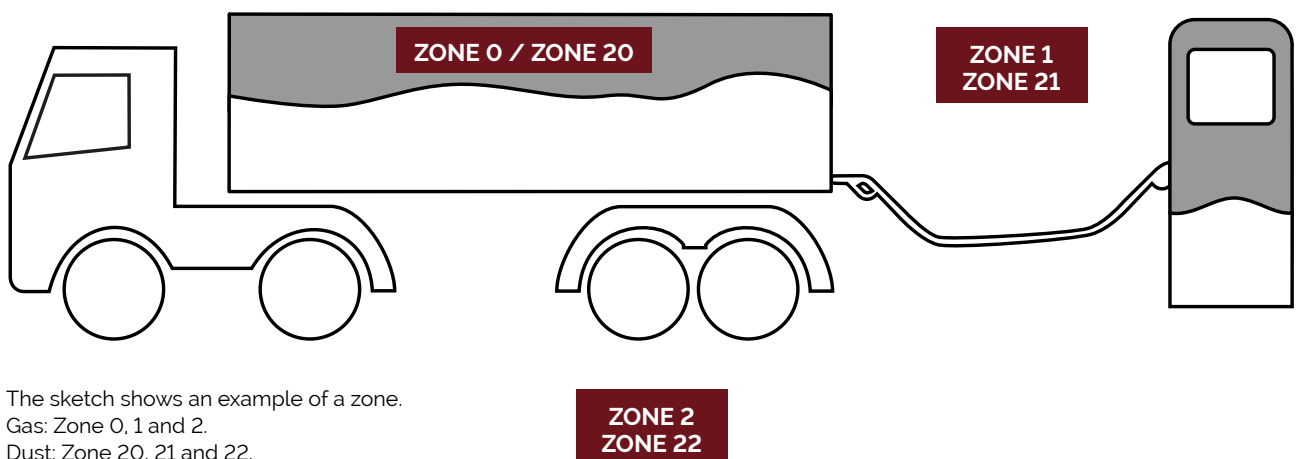
We construct the trucks in high quality stainless steel and with minimum one vulkollan anti-static wheel in order to avoid static electricity.

Logitrans solely manufactures EX stainless trucks to be operated manually. These trucks (manual highlifter, manual stacker, manual pallet truck) are suitable for the pharmaceutical, chemical, oil, gas and painting industry.

The explosion proof trucks are characterised by the following product labels:



II 2G Ex h IIB T6 Gb
II 2D EX h IIIB T85°C Db



The sketch shows an example of a zone.
Gas: Zone 0, 1 and 2.
Dust: Zone 20, 21 and 22.

In which environment do you want to use the product?

Material

- Please check our key sketch.

In general

- Acid-resistant steel AISI 316L for the forks
- Stainless steel AISI 304 for chassis and other exposed components
- Electric print is coated with DCA SCC3 (conformal coating)
- Exposed plugs are sealed with Gasket Silicone 273
- All electric parts are sprayed with WD-40.
- Chains, chain wheel, support rollers etc.: Various steel alloys - not corrosion resistant.
- Less exposed parts: Zinc coating according to DIN 50979- ZnFe8/Cn/T2 (408 hours salt spray test)
- Ball bearing with rubber sealing.
- Motor: IP44
- The charger is not protected against moisture, so in general external charger is used. Charging should take place in a dry environment.
- If possible, the product is to be placed in a dry and heated room, when not used.

Maintenance

To achieve the longest possible operational time, it is important that stainless products are maintained regularly.

The frequency depends on the usage.

[Cleaning/Maintenance of stainless products](#)

Every third month

- Electric parts are sprayed with WD-40
- Plugs and connections are checked and cleaned for brownish layer and bad connections

Warranty

- When used in wet environments, the warranty does not cover damages caused by moisture. This might be rust damages to galvanized parts and faults on electrical parts.

In which environment do you want to use the product?

Stainless steel products operate in different environments and must meet different requirements from our customers. What is your environment?

Environments	Examples industries	Logitrans products managing these environments			
<p>Very aggressive, wet environments The product is wet due to liquid dissolutions (acid, base or brine) almost all the time.</p> <p>Cleaning Aggressive cleaning. Cleaning with foam (acid or base) (washing) PH in the cleaning material is much lower or much higher than 7.0</p>	<p>Preparation processes in Food and fish industries Slaughterhouses Dairies</p>				
<p>Aggressive, wet environments The product is wet and moist most of the time.</p> <p>Cleaning Aggressive cleaning. Cleaning with foam (acid or base) (washing). PH in the cleaning material is much lower or much higher than 7.0</p>	<p>Production processes in Food industry Slaughterhouses Dairies</p>				
<p>Clean, moist environments The product is moist only occasionally.</p> <p>Cleaning Gentle cleaning when wiping or washing (only forks). Neutral water (PH7), when necessary with gentle cleaning materials.</p>	<p>Pharmaceutical industry Food industry</p>				
<p>Clean, dry environments The product is dry all the time.</p> <p>Cleaning Cleaning the products with dry or moist cloth.</p>	<p>Pharmaceutical Packaging in the food industry</p>	<p>All Logitrans stainless products</p>	<p>Panther Inox, HS/EHS Inox HL/EHL Inox, Logitilt Inox Rotator Inox, Multi Drum Turner Inox Stainless fully-powered products</p>	<p>EHL Inox Plus HL Inox Plus</p>	<p>Panther Inox Plus</p>