

Electric Pallet Trucks

J1 Promover

Lift Capacity: 1500kg



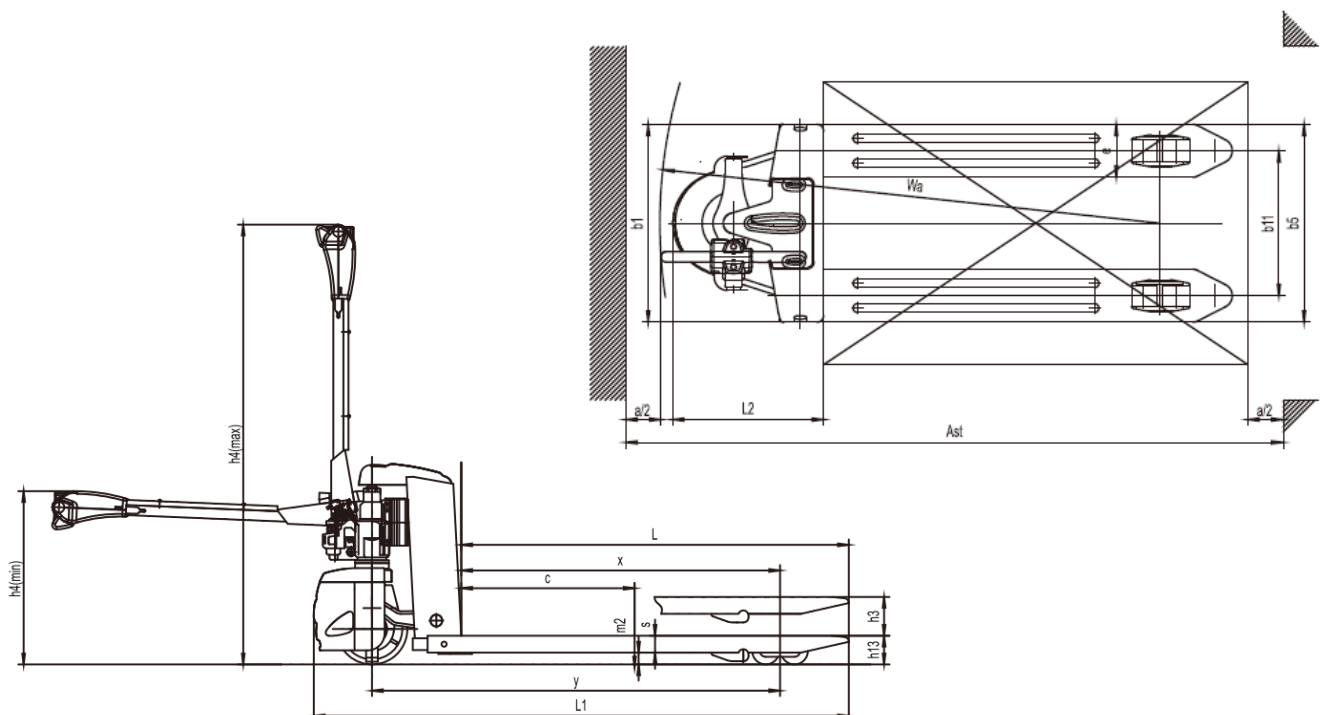
The agile and cost-effective alternative to a hand pallet truck

- DC power drive, with 1.5 tonne lift capacity via manual hydraulic pump
- Unique drive system with high energy-efficiency to increase reliability
- Reverse-back button, emergency stop, slope anti-skid resistance & drive wheel cover for increased operator safety
- Very compact design with small turning radius for use in confined spaces
- Solid and durable frame for longer operating life
- Ergonomic handle design
- High quality speed controller

J1 Promover Specification:



Lifting Capacity	kg	1500
Power Type		Semi Electric
Truck Service Weight	kg	140
Wheels		Polyurethane
Fork, lowered height	mm	85
Fork, raised height	mm	200
Overall Length	mm	1580
Overall Width	mm	560 or 685
Aisle width, 1000 x 1200 UK Chep pallet	mm	1697
Aisle width, 800 x 1200 EUR pallet	mm	1897
Outer turning radius	mm	1380
Travel speed loaded/unloaded	km/h	3.5/4
Gradeability loaded/unloaded	%	3/6
Drive motor rating S2 60 min	KW	0.65
Battery voltage/rated capacity 5h	v/AH	24 / 30



Units 10 & 11 Bridgwater Court, Oldmixon Crescent, Weston-super-Mare BS24 9AY

Tel: 01934 621777 Email: sales@howardhandling.co.uk Web: www.howardhandling.co.uk