



REEL ROTATOR

LFRRM/LFSRRM - ELFRRM/ELFSRRM - ELFRRE/ELFSRRE -
SELFRE/SELSRRE - SELFRRP/SELSRRP



REEL ROTATOR

SAFETY FEATURES

REEL LIFTER



Reel Rotator

With the reel rotator you can lift up heavy reels from a pallet, rotate and place them in a packaging machine without physical effort

The two main benefits of the reel rotator: Avoid manual material handling; and ensure precise and careful handling of heavy reels.

To **manually** lift and turn heavy reels is a physically straining, exhausting and very inefficient solution for handling such large objects. With the reel rotator you can boost your performance, as one operator can do the job repeatedly, without compromising on quality, efficiency or safety.

Working with reels requires **careful movements**

and precise placement. Besides from being big and heavy, the reels are often fragile and very valuable, and must be handled carefully. The risk of dropping the reels or causing damages/scratches is high with human strength, but with the reel rotator you ensure a high level of safety - for your reels, your employees and your surroundings.

The reel rotator is a perfect match for companies in the printing and packaging industry. And together with the reel lifter, you have the optimal solution for handling your reels.

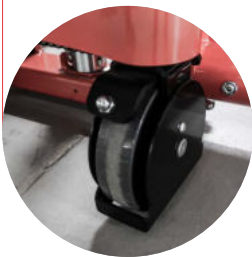
Secured against opening by mistake

Handles reel diameters from Ø120 mm to Ø1270 mm

Short overall measurements



Intuitive screen to preset rotation angles and speed



Foot protectors and shielded chains



Remote control for electric clamping, lifting, lowering, and rotation



Ergonomically correct handle

Reel Rotator

With its strong and compact design, the reel rotator is the perfect solution for handling heavy reels safely and efficiently. It is very easy to operate and manoeuvre, and with it you can:

- Lift reels vertically from a pallet (the axle pointing up) and place in a machine
- Lift reels horizontally out of a machine - e.g. packing, printing or production machines

If you need to lift a reel horizontally from a pallet, you will need the reel lifter to pick up the reel first, and then grab it with the reel rotator.

The reel rotator comes in different versions for different usages. See next page.

We use a special oil for all products, which is tested in cold atmospheres down to at least -10 degrees C.



Safety first

You can never be too careful, when it comes to handling heavy items. Both in terms of the operators, the items and the surroundings. Therefore, the reel rotator has several important safety features:

- Rubber-covered gripping pads for high friction and gentle grip on reels.
- The grippers cannot open by mistake during transportation, regardless of model and clamping method.
- When lifting reels above 80 kg, once they are clamped, the reels can only be released, when they are supported by e.g. a pallet or the floor.
- For models with electric rotation, it is not possible to rotate below lifting height of 825 mm.
- Programmable rotation degree for electric rotation.
- Automatic adjustable pressure depending on diameter of the reel (SELFRRP/SELFRRP)



Reel Lifter

Space - or lack of - is often a factor, when placing reels in production, printing or packaging machines. And this is where the reel lifter becomes handy. You also need this machine if you need to place a reel from the Reel Rotator to the ground with the eye pointing to horizon.

The reel lifter is a small, compact, but very powerful tool, very suitable for placing or removing heavy reels gently in various machines where space is limited. In addition, the forks have a flexible locking system, which allows easy switch between different sizes of reels.

With the reel lifter you avoid awkward, physical and unnecessary manual reel handling, as assistance to the reel rotator.



STANDARD FEATURES

- ✓ Foot protector
- ✓ Foot brake

STANDARD FEATURES

Manual

- ✓ Foot protector
- ✓ Hand brake

Electric

- ✓ Hand brake
- ✓ Remote control
- ✓ Foot protector

Fully powered

- ✓ Motor brake
- ✓ Remote control
- ✓ Foot protector

Reel rotator (manual, electric and fully powered)

Our standard reel rotator come in different versions of operation:

Manual (LFRRM - full manual operation)

Electric (ELFRRM - electric lifting and clamping, manual rotation and propulsion)

Electric (ELFRRE - electric lifting, clamping and rotation, manual propulsion)

Fully powered (SELFRRE - full electric operation)

If you need to transport and rotate heavy reels on a daily basis, we recommend our fully powered (SELFRRE) or electric (ELFRRE) models.

If you only transport short distances or if you do not need to lift and rotate reels regularly, the electric (ELFRRM) or manual (LFRRM) models may be a good choice.

We use a special oil for all products, which is tested in cold atmospheres down to at least -10 degrees C.



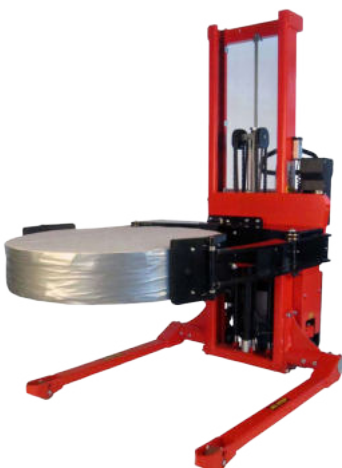
Reel rotator with automatic adjustable pressure

If you handle fragile reels, e.g. paper reels, our fully powered reel rotator with automatic adjustable pressure is a good choice for you.

With this version, the pressure of the clamps is automatically adjusted according to the diameter of the reel.

This way you avoid the risk of either dropping the reels due to too little pressure, or damaging the reels due to too much pressure.

This version has electric transportation, lifting, rotation and clamping.



Reel rotator with straddle legs (manual, electric and fully powered)

All our reel rotators are also available with straddle legs.

This extra space between the legs makes it possible to grab reels from all types of pallets – also closed ones.

The straddle legs models have same features and functionalities as our standard trucks.

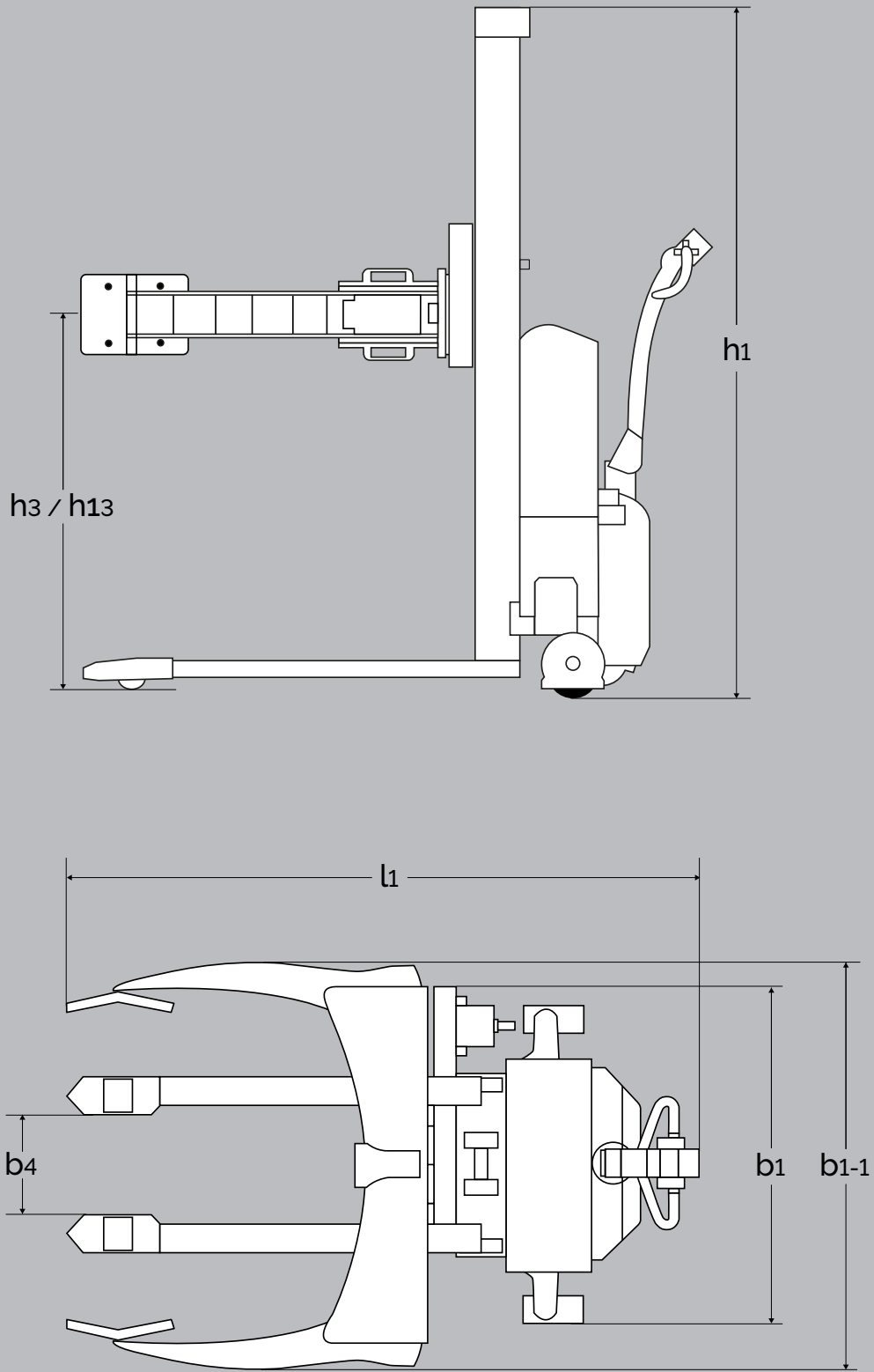


Work in practice

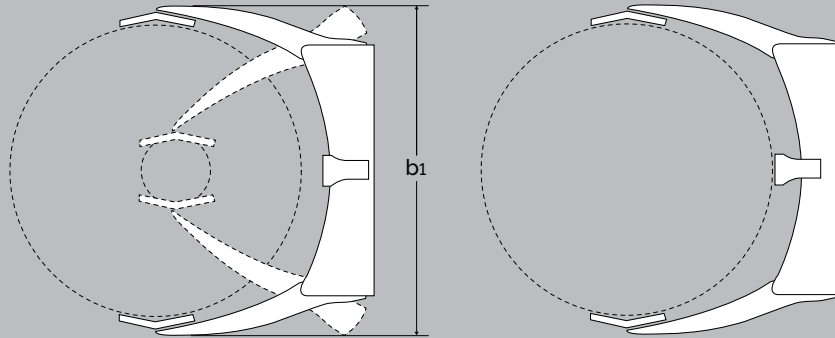
Although the reel rotator is constructed for the printing and packaging industry, it has also proven valuable in other material handling situations. For example, it has helped solve an ergonomic issue for the large Danish garden center, Plantorama, in handling their large and heavy clay flower pots.

Other industries include:

- Chemical
- Labelling
- Food/protein
- Components/parts for turbines
- Food/yogurt tubs
- Printing/reels for unwinder



Can be adjusted for two-points or three points clamping



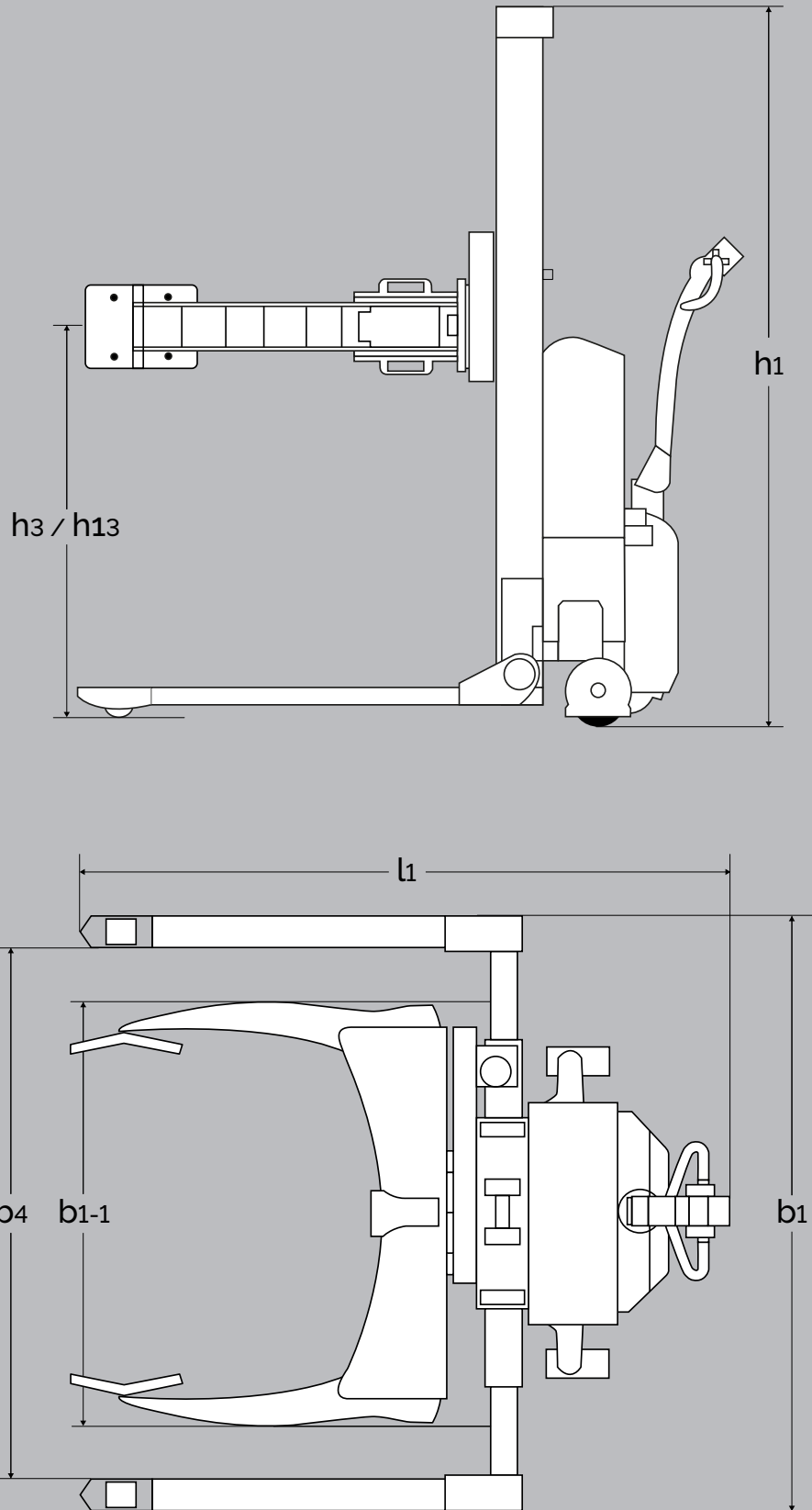
Two-points clamping

Three-points clamping

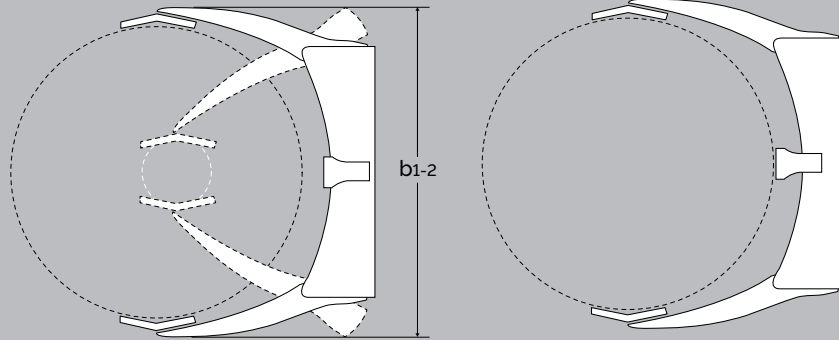
PRODUCT (measured in mm)		LFRRM 1001	ELFRRM 1001	ELFRE 1001	SELFRE MAXI 1003	SELFREP MAXI 1003
Capacity in kg		500 kg	500 kg	500 kg	500 kg	325 kg
Reel diameter - two-points clamping		120-1270				
Reel diameter - three-points clamping		800-1270				
Opening gripping arms		Max 1300				
Lifting height	h_3	1750				
Overall height	h_1	1925			1930	
Overall width	b_1	980				
Overall width gripping arms min.	b_{1-1}	1150				
Overall width gripping arms max.	b_{1-2}	1445				
Width between legs	b_4	285				
Overall length	l_1	1620	1730	1730	1795	
Lowered height	l_{13}	225				
Rotation height	h_{13}	Min 825				
Gangway	A_{st}	2290*			2200*	
Turning angle of wheels		210°				
Driving motor					1,2 kW 24 V**	
Driving speed with/without load					Below 500 mm lift: 5/6 km/h, over 500 mm lift: 3/4 km/h	
Pump motor			1,1 kW 12 V	1,1 kW 12 V	1,2 kW 24 V	
Lifting speed with / without load		Normal/quick: 8/26 mm per pump	0,05 / 0,07 m/s	0,05 / 0,07 m/s	0,07 / 0,12 m/s	
Lowering speed with / without load		Max 0,05 m/s - Max 0,07 m/s	0,12 / 0,04 m/s	0,12 / 0,04 m/s	0,12 / 0,07 m/s	
Weight in kg (no battery)		380 kg	410 kg	410 kg	480 kg	485 kg

* tests show that 1700 mm are enough.

** speed control electronically variable.



Can be adjusted for two-points or three points clamping



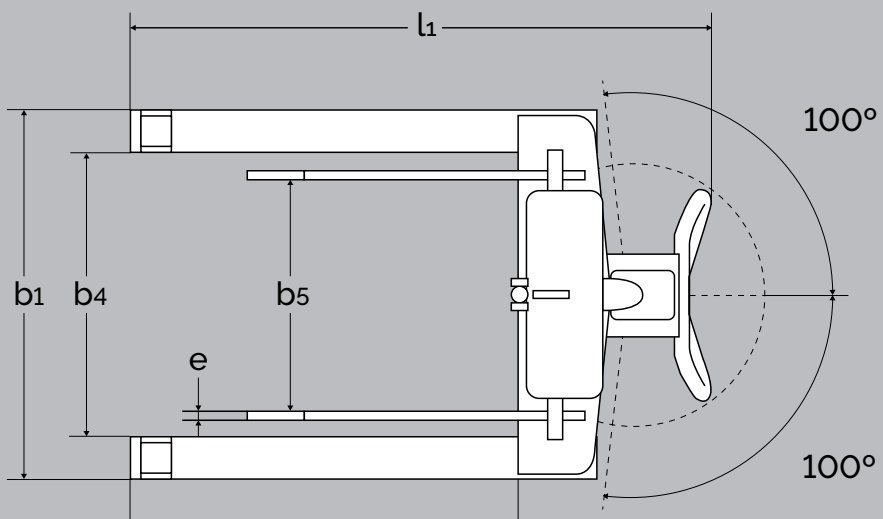
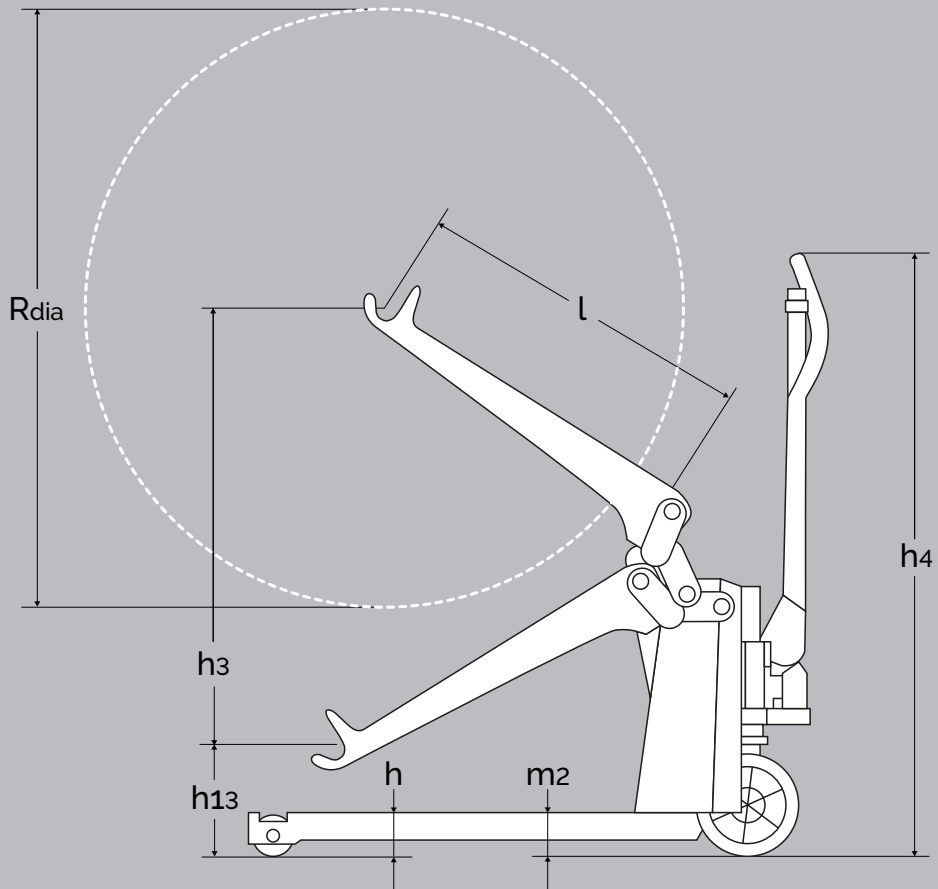
Two-points clamping

Three-points clamping

PRODUCT (measured in mm)		LFSRRM 1001	ELFSRRM 1001	ELFSRRE 1001	SELSRRE MAXI 1003	SELSRREP MAXI 1003
Capacity in kg		500 kg	500 kg	500 kg	500 kg	325 kg
Reel diameter - two-points clamping		120-1270				
Reel diameter - three-points clamping		800-1270				
Opening gripping arms		Max 1300				
Lifting height	h_3	1750				
Overall height	h_1	1925			1930	
Overall width	b_1	166 + b_4 (min 1130 mm)				
Overall width gripping arms min.	b_{1-1}	1150				
Overall width gripping arms max.	b_{1-2}	1445				
Width between legs	b_4	850 - 942, 942 - 1124, 1124 - 1306, 1240 - 1422				
Overall length	l_1	1585	1705		1760	
Lowered height	h_{13}	225				
Rotation height		Min 750				
Gangway	A_{st}	2290*			2200*	
Turning angle of wheels		210°				
Driving motor					1,2 kW 24 V**	
Driving speed with/without load					Below 500 mm lift: 5/6 km/h, over 500 mm lift: 3/4 km/h	
Pump motor			1,1 kW 12 V	1,1 kW 12 V	1,2 kW 24 V	
Lifting speed with / without load	Normal/quick: 8/26 mm per pump		0,05 / 0,07 m/s	0,05 / 0,07 m/s	0,07 / 0,12 m/s	
Lowering speed with / without load	Max 0,05 m/s - Max 0,07 m/s		0,12 / 0,04 m/s	0,12 / 0,04 m/s	0,12 / 0,07 m/s	
Weight in kg (no battery)		400 kg	430 kg	430 kg	480 kg	485 kg

* tests show that 1700 mm are enough.

** speed control electronically variable.



PRODUCT
(measured in mm)

RL 500

Capacity in kg		500 kg
Reel diameter	R_{dia}	max. 1270
Reel width		max. 520
Lifting height	h_3	800
Overall height	h_4	1170
Lowered height	h_{13}	250
Lifted height	$h_{13}+h_3$	1050
Leg height	h	85
Fork span	b_5	100-520
Overall width	b_1	720
Width between legs	b_4	550
Fork width	e	15
Fork length	l	650
Run-in length	l_x	750
Overall length	l_1	1125
Ground clearance	m_2	29
Turning angle		200°
Fork wheel		Ø80x60
Steering wheel		Ø200x50
Weight in kg		92 kg