



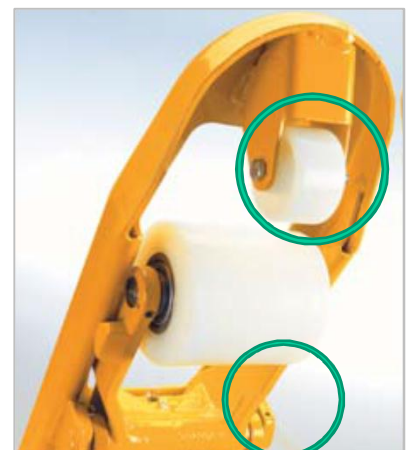
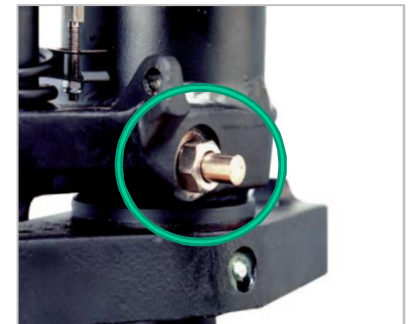
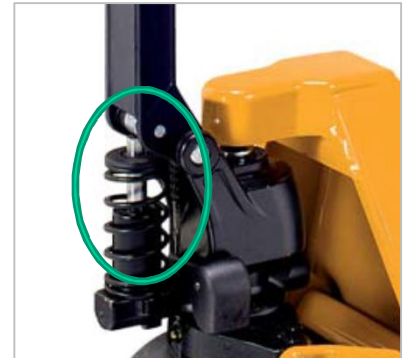
Howard Handling

Hand Pallet Trucks BT Liftrite OEC2300

Lowest lifetime cost

12 reasons to buy a Liftrite OEC2300

- ✓ Angle and protected hand grip reduces risk of injury.
- ✓ Robust welded towbar.
- ✓ Strong adjustable valve rod.
- ✓ Stainless steel lowering valve. Offers long, trouble free life.
- ✓ Twin ball bearing for improved steering performance.
- ✓ Solid steel pushrods.
- ✓ Robotised welded chassis. Improved strength and reliability.
- ✓ High strength folded steel giving low overall weight, but also very strong fork tips.
- ✓ Climber wheels for easy entry and exit from the pallet.
- ✓ 13 grease points reducing wear and giving longer life
- ✓ Powder paint coating.
- ✓ Designed for long lifetime of safe reliable service.



13 grease points across wheels, bearings and axles for long life and easy maintenance



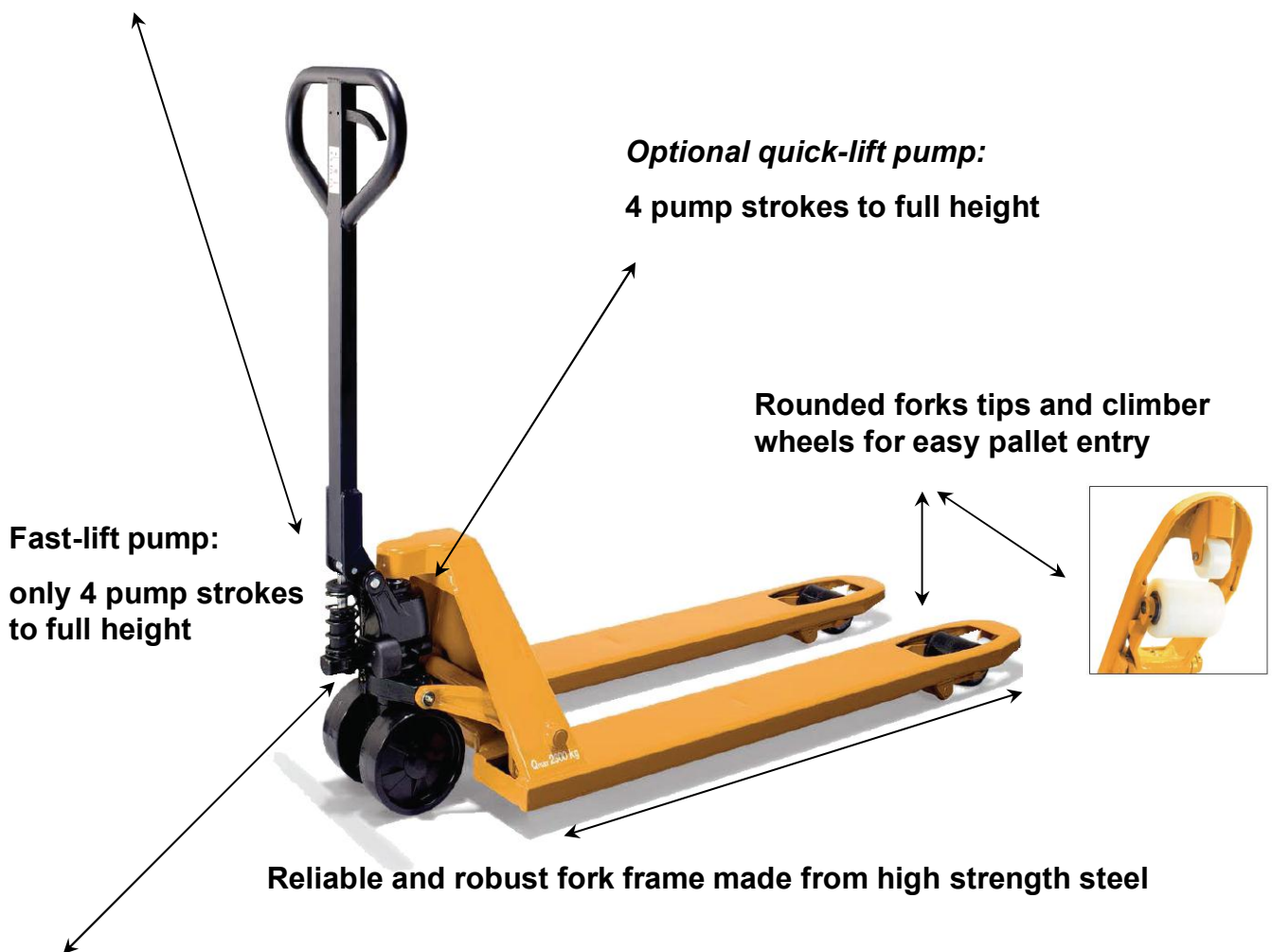
Howard Handling

Liftrite OEC2300 Features

Very high quality hand pallet truck, from European manufacturer Liftrite

Only 12 pump strokes to full height

Rugged and robust pump for high reliability



13 grease points across wheels, bearings and axles for long life and easy maintenance

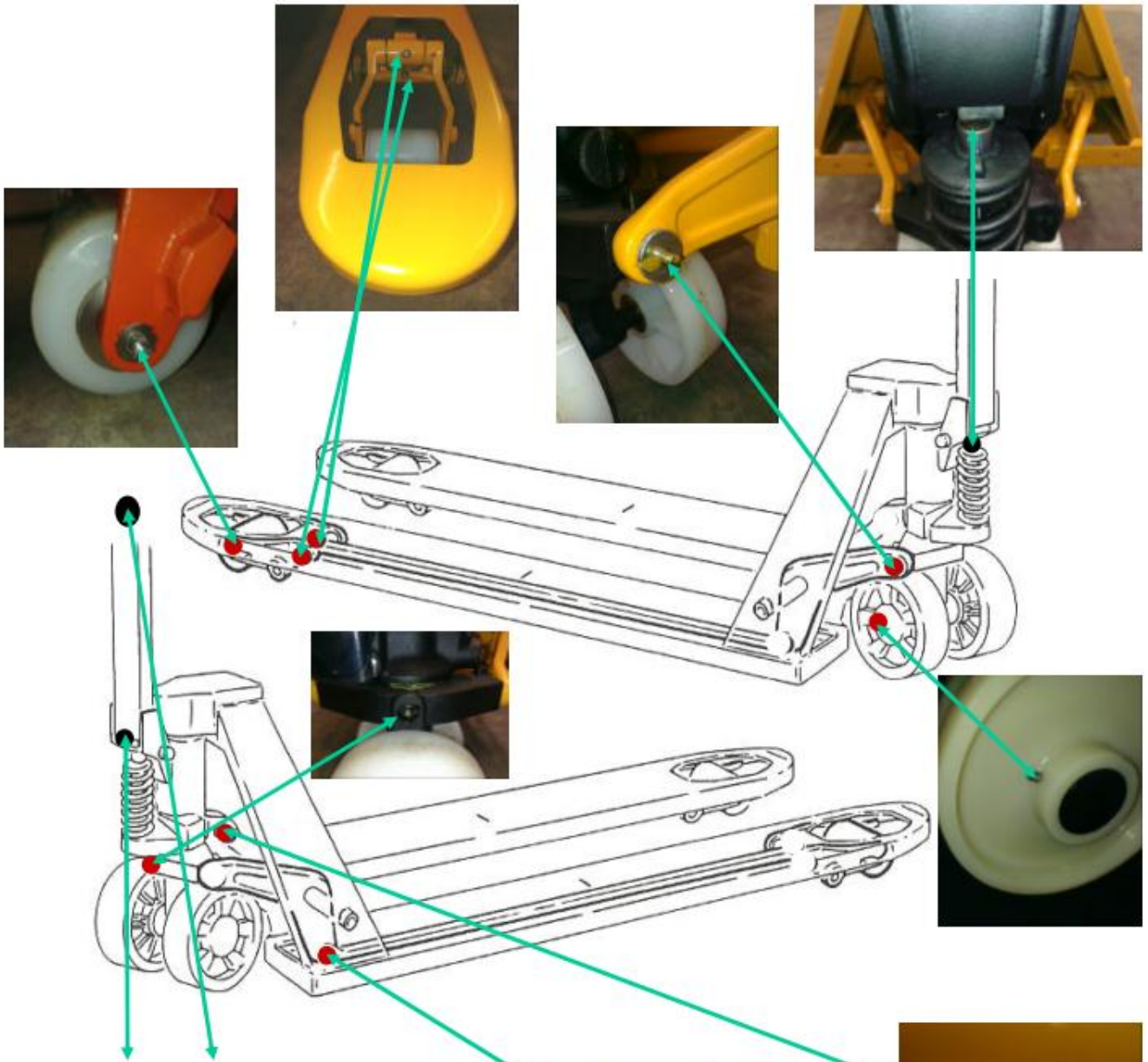
Turning angle of 180°

Low own weight – only 65kgs



Howard Handling

Liftrite OEC 2300 Grease Points



Areas that require regular greasing, no grease nipples

