

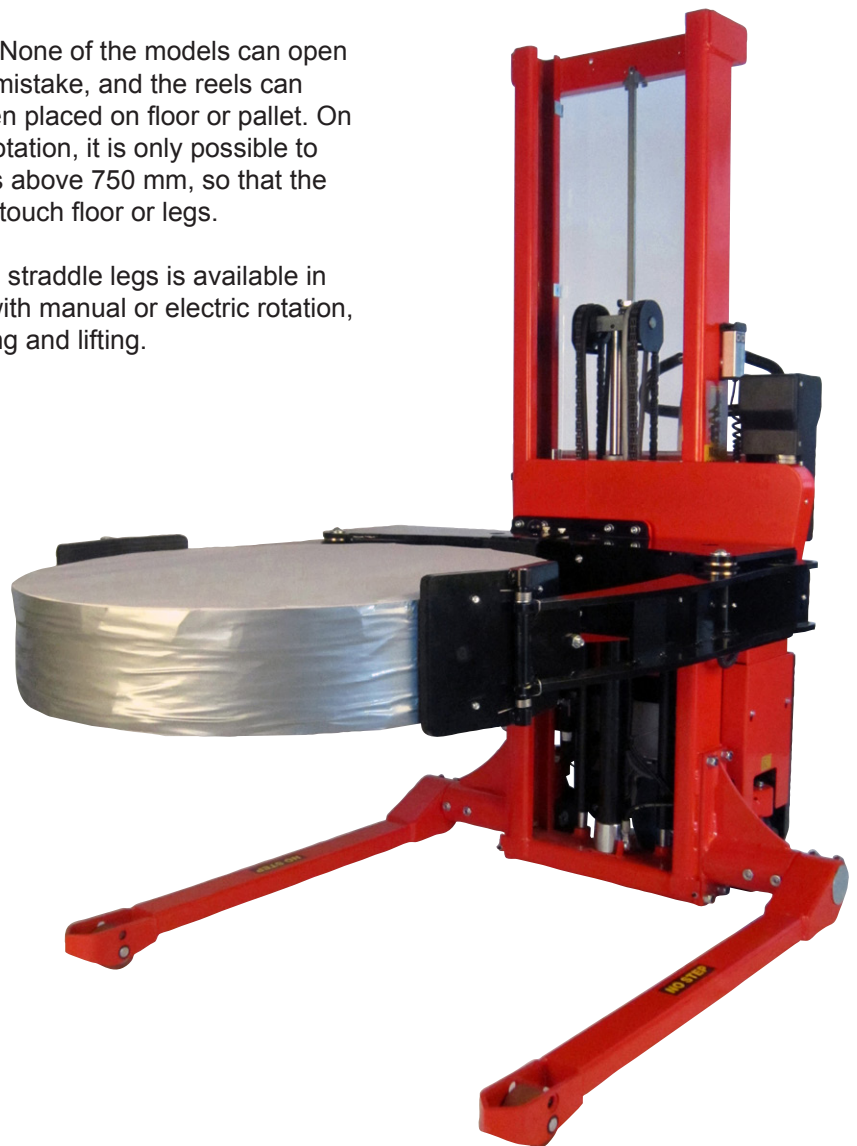
Reel Rotator with straddle legs – handling of heavy reels from all pallet types

When heavy reels, e.g. placed on closed pallets, are to be transported, lifted and rotated, the Reel Rotator with straddle legs is the perfect choice! It can grip and place reels, which are located on all types of pallets. It is compact, very manoeuvrable and ensures the user ergonomically correct working conditions.

The reels are fixed with gripping arms, having rubber-covered gripping pads to achieve the largest friction and to ensure a gentle grip. The Reel Rotator manages soft as well as smooth and hard reels.

High focus on safety! None of the models can open the gripping arms by mistake, and the reels can only be released, when placed on floor or pallet. On models with electric rotation, it is only possible to rotate at lifting heights above 750 mm, so that the gripping arms cannot touch floor or legs.

The Reel Rotator with straddle legs is available in four unique models, with manual or electric rotation, reel fastening/releasing and lifting.



REEL ROTATOR WITH STRADDLE LEGS

Technical Specifications

Available in four models and can handle

- Vertical reels placed on floor or pallet (no matter which pallet type)
- Horizontal and vertical reels that are clear off the floor

On trucks with manual rotation, the tilt degree can be set for every 90° (with a locking system). Trucks with electric rotation have programmable tilt degree.



Opening the gripping arms by mistake is not possible. Clear indication whether the clamping force is sufficient for lifting/rotating.

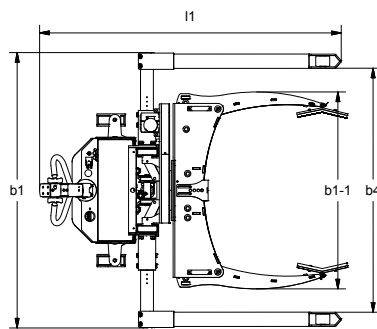
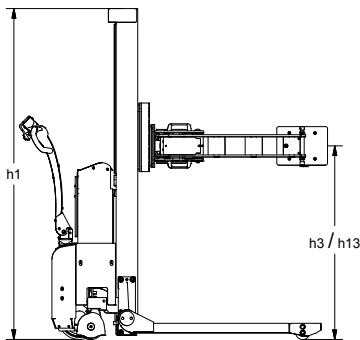


All models are available without straddle legs.

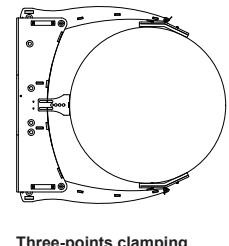
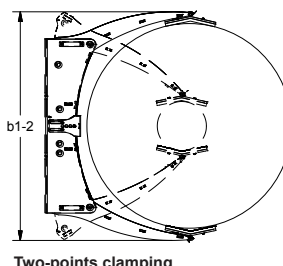


The electric trucks have remote control for reel fastening/releasing.

Product (measured in mm)	LFSRRM 1001	ELFSRRM 1001	ELFSRRE 1001	SELFSRRE MAXI 1002
Capacity in kg	500	500	500	500
Reel diameter	120 - 1250 (two-points clamping: 120 - 1250, three-points clamping: 800 - 1250)			
Opening gripping arms	max. 1300			
Lifting height	1750			
Overall height	1925			1930
Overall width	166 + b ₄ (min. 1130 mm)			
Overall width gripping arms	1430			
Width between legs	850 - 942, 942 - 1124, 1124 - 1306, 1240 - 1422			
Overall length	1585	1705		1760
Lowered height	225			
Rotation height	min. 750			
Gangway	2290 - tests show that 1700 mm are enough			2200 - tests show that 1700 mm are enough
Turning angle of the wheels	210°			
Driving motor				1,2 kW 24 V speed control electronically variable
Driving speed with/without load				Below 500mm lift: 5/6 km/h, over 500 mm lift: 3/4 km/h
Pump motor	1,1 kW 12 V		1,1 kW 12 V	1,2 kW 24 V
Lifting speed with/without load	Normal/quick: 8/26 mm per pump	0,05 / 0,07 m/s	0,05 / 0,07 m/s	0,07/0,12 m/s
Lowering speed with/without load	Max. 0,19 m/s / Max. 0,07 m/s	0,12 / 0,04 m/s	0,12 / 0,04 m/s	0,12/0,07 m/s
Weight in kg (no battery)	400	430	430	480



Can be adjusted for two-points or three-points clamping:



We also offer tailor-made solutions.

Please ask for further information or visit our website www.logitrans.com