

## **Stainless pallet truck - hygienic pallet transport**

Optimum hygiene - with a stainless pallet truck the risk of bacterial contamination is minimised. The stainless products were developed in cooperation with a Creamery for use in environments where the hygiene demands are severe and where the truck is exposed to an aggressive environment and thorough cleaning.

The design prevents industrial injuries and strain on the user - focus is put on safety and ergonomic working conditions of the user. The ergonomically correct shape of the handle ensures a relaxed hold for the user.

High quality is ensured through an extended test programme and in cooperation with experts in Health and Safety.



### Technical Specifications

The stainless pallet truck is available in a stainless-plus and a stainless-semi version

- RF-PLUS: Acid-resistant fork chassis. All other parts stainless steel
- RF-SEMI: Acid-resistant fork chassis. Stainless handle, wheel forks, lifting arm and thrust plate. The push rod has a polymer plastic coating and the pump is chromit-treated.

Easy to clean and optimum resistance

- acid-resistant and electric polished fork chassis
- strong surface
- corrosion resistant

Long operating life and low maintenance costs

- strong construction
- AISI316L steel used on the fork chassis



RF-PLUS - for the food industry and the pharmaceutical industry with strict hygiene and sanitation requirements.



RF-SEMI - for the food industry in areas, where hygiene demands are not so high, but corrosion resistance important.



Completely open or completely closed truck elements facilitate efficient cleaning.

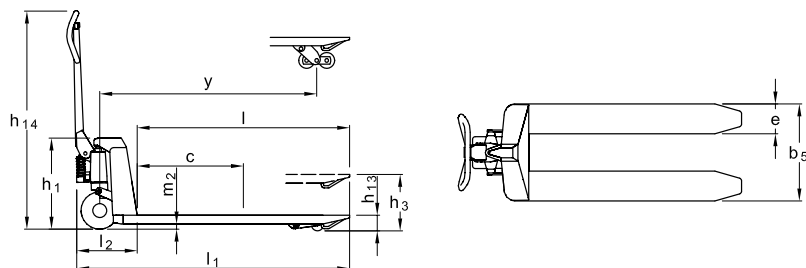


Closed forks mean easy cleaning and few hiding places for bacteria.



The pallet truck is also available in an explosion proof version.

Product (measured in mm)	GL 2081RF-PLUS	GL 2081RF-SEMI
Capacity in kg	2000	2000
Lifting height	200	200
Fork length	810, 970, 1140, 1220	810, 970, 1140, 1220, 1520
Overall height	530	530
Fork span	520, 680	520, 680
Length without forks	340	340
Overall length	1480	1480
Fork width	160	160
Wheelbase	1170	1170
Overall height	1220	1220
Lowered height	85	85
Load centre	1/2	1/2
Ground clearance	38	38
Turning angle of the wheels	230°	230°
Fork wheels - single	Ø80 x 90	Ø80 x 90
Fork wheels - tandem	Ø80 x 70	Ø80 x 70
Steering wheel	Ø200 x 50	Ø200 x 50
Weight	68 kg (520 x 1140)	



Ergonomic handle ensures the user a relaxed hold.



RF-PLUS pallet truck being used in the pharmaceutical industry.

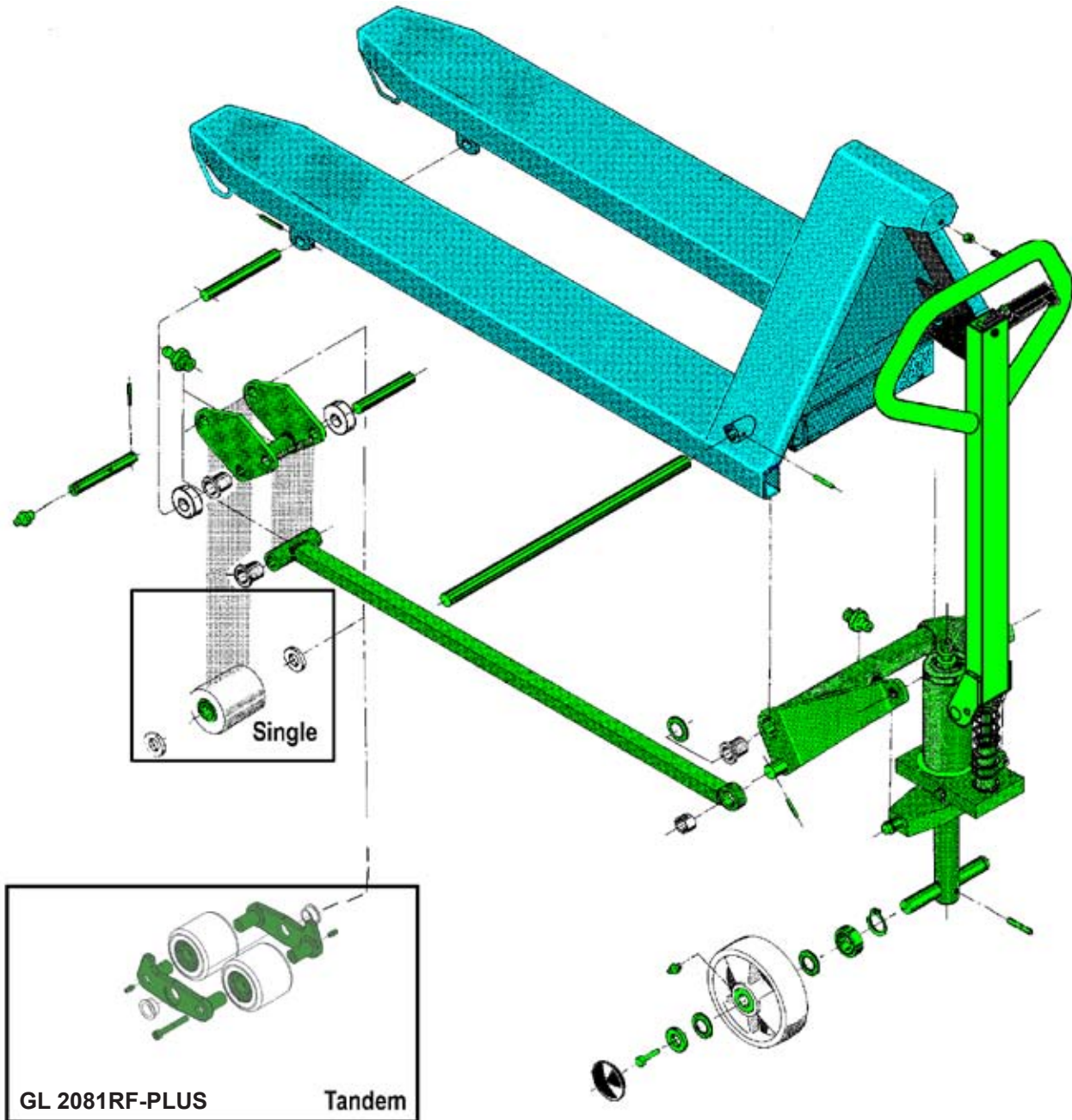


Wheels with rubber-sealed bearings.

Please ask for specification details or visit our website  
We also offer tailor-made solutions.

# GL 2071 RF-PLUS / GL 2081RF-PLUS

	Syrefast stål	Acid-resistant steel	Säurebeständiger Stahl	Inox - Anti acides	EN 1.4404 (AISI 316L) EN 1.4460 (AISI 329)
	Rustfrit stål	Stainless steel	Edelstahl	Inox	EN 1.4305 (AISI 303) EN 1.4301 (AISI 304)
	Polymer plastbelægn.	Polymer plastic coating	PolymerKunststoffbeschicht.	Revêtement en plastique polymérisé	
	Kromitære	Chromit-treated	Chromit-behandelt	Bi-chromatage	Chromit 3
	Gummitætnele lejer	Rubber sealed bearings	Lager m/Gummidichtung	Roulements étanches	
	Bronze	Bronze	Bronze	Bronze	
	Malet 130-150 µm	Painted 130-150 µm	Gemalt 130-150 µm	Peinture 130-150 µm	



# GL 2071 / 2081RF-PLUS

Syrefast stål	Acid-resistant steel	Säurebeständiger Stahl	Inox - Anti acides	EN 1.4404 (AISI 316L) EN 1.4460 (AISI 329)
Rustfrit stål	Stainless steel	Edelstahl	Inox	EN 1.4305 (AISI 303) EN 1.4301 (AISI 304)
Polymer plastbelægn.	Polymer plastic coating	PolymerKunststoffbeschicht.	Revêtement en plastique polymérisé	
Kromitære	Chromit-treated	Chromit-behandelt	Bi-chromatage	Chromit 3
Gummitætne lejer	Rubber sealed bearings	Lager m/Gummidichtung	Roulements étanches	
Bronze	Bronze	Bronze	Bronze	
Malet 130-150 µm	Painted 130-150 µm	Gemalt 130-150 µm	Peinture 130-150 µm	

